

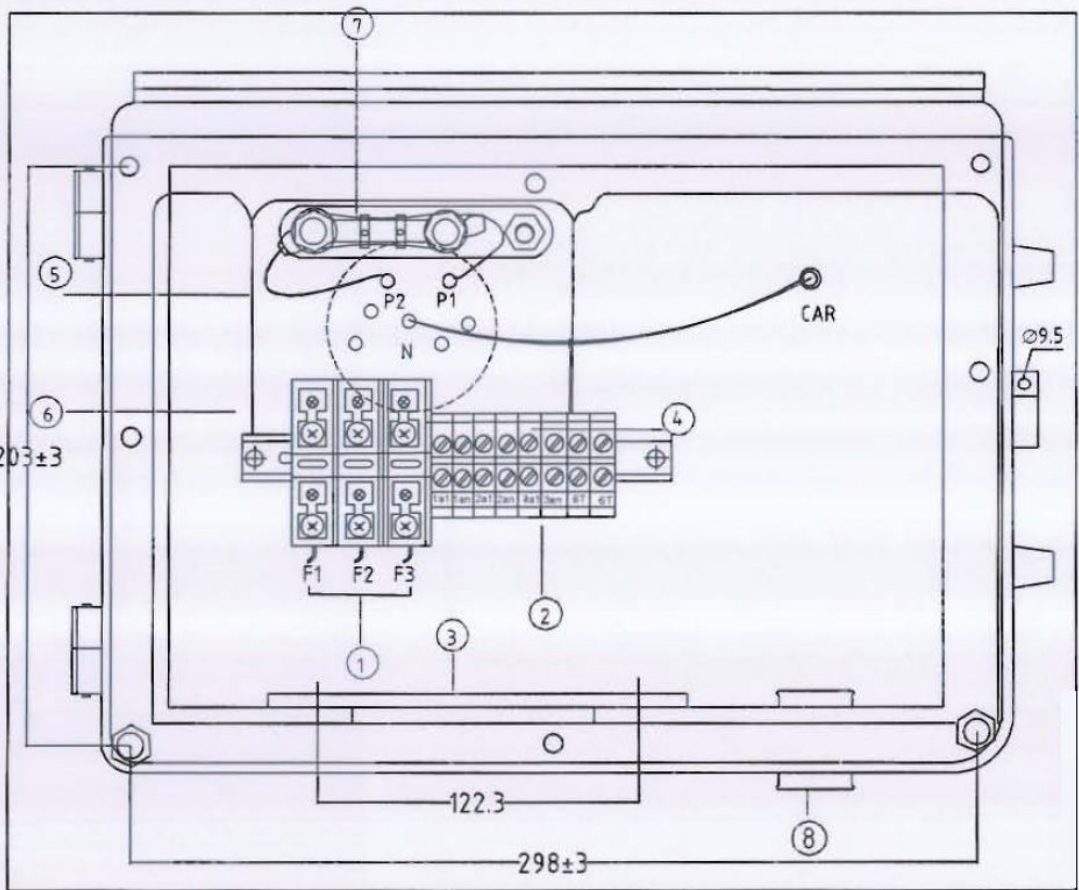
A

B

C

D

E



NOS.	DESCRIPTION
①	TERMINALS-CONNECTED TO 1a1,2a1,3a1 LEADS.
②	I.D.STRIP
③	GLAND PLATE(122x147 mm)
④	TERMINAL BLOCK
⑤	OIL TO AIR SEAL PLATE
⑥	FUSES HOLDER C/W 10A FUSE (3X)
⑦	SURGE PROTECTOR
⑧	RUBBER GORMET

SR.	NOTE.
01	DOOR REMOVED FOR CLARITY.
02	TERMINAL BOX CONFIRM AS PER IP55
03	20 % SPARE TERMINAL WILL BE PROVIDED (ST).

Date 14.05.14
 Prep. AR
 Ckt. SB
 Norm

Original/Replaced By : -

Descr : 145kV,Outdoor,oil cooled
 hermetically sealed Capacitive
 Voltage Transformer.
 Details: Sec Box GA Drawing.

All dimensions are in MM

Drq.no : 145-KV-CVT-SB-GA

SH 1
 1 SH