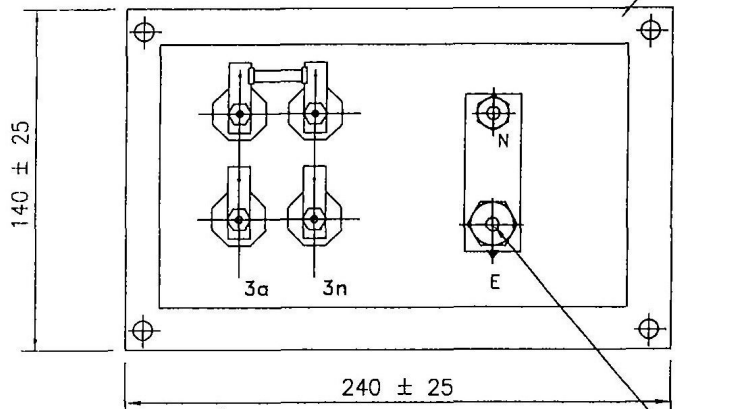
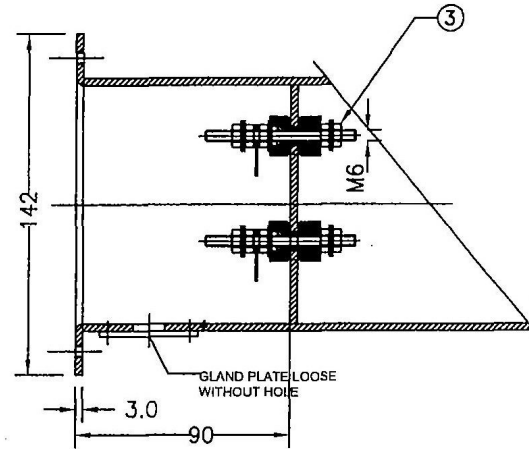
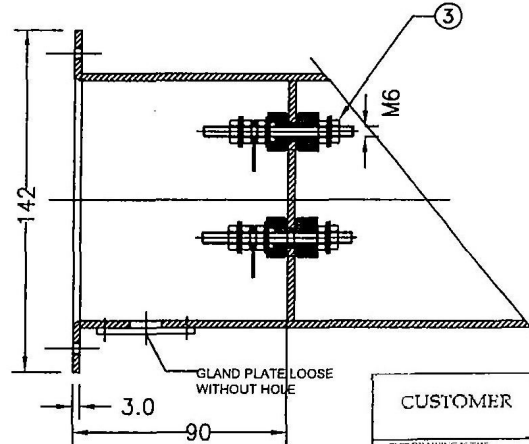


SECONDARY TERMINAL BOX DETAILS



EARTHING BOX DETAILS

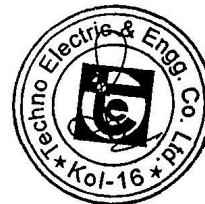


S.No.	DESCRIPTION	MATL.
1	FUSE LINK	Brass Electroplated
2	FUSE 6 AMPS	Make GEC(NS6)
3	SECONDARY TERMINAL (M6)	Brass Electroplated
4	Secondary Terminal Box	MS
5	Earthing terminal M10x50	MS
6	Earthing Terminal Box	MS

" E " : EARTHING TERMINAL

" N " : HT NEUTRAL

1. Secondary & Earthing terminal box shall be 3mm thick M.S sheet. With 2mm thick cover plate.
2. Degree of Protection IP:55
3. Gland holes shall be provide one no. of dia. 25.4mm for cable.
4. Secondary & Earthing box shall be with sealing arrangement.



CUSTOMER	BIHAR STATE POWER TRANSMISSION CO. LTD.		
<small>THIS DRAWING IS THE PROPERTY OF ALISTECHNO ELECTRIC &amp; ENGG. CO. LTD. AND NOT TO BE COPIED OR USED WITHOUT THEIR WRITTEN PERMISSION.</small>			
SUPPLY LOI NO.			
ERECTION LOI NO.			
PROJECT			
SUBSTATION			
VENDORS NAME			
DRG. TITLE	SECONDARY BOX DRAWING FOR 33 KV PT		
DRG. NO.	33-KV-PT-SB		
SCALE:	NTS	JOB NO:	SHEET