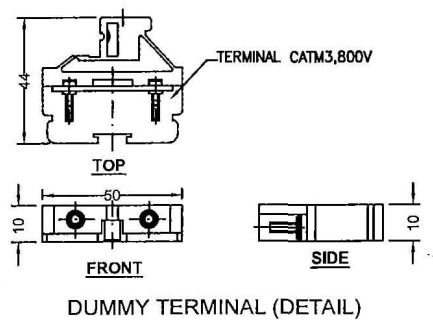



NOTE:

1. Secondary terminal box shall be provided removable gland plate without hole.
2. Secondary Terminal Box shall be provided with Cover.
3. MS Sheet thickness for terminal box 3 mm & for Cover 2 mm.
4. Degree of Protection :- IP 55



CUSTOMER	 BIHAR STATE POWER TRANSMISSION CO. LTD		
<small>THIS DRAWING IS THE PROPERTY OF M/S TECHNIKA ENGINEERING & ENGINEERING CONSULTANTS AND NOT TO BE COPIED OR USED WITHOUT THEIR PRIOR PERMISSION.</small>			
SUPPLY LOI NO.			
ERECTION LOI NO.			
PROJECT			
SUBSTATION			
VENDORS NAME			
DRG. TITLE	DRAWING FOR SECONDARY TERMINAL FOR 132 KV CT (120%)		
DRG. NO.	132-KV-CT-120-ST		
SCALE:	NTS	JOB NO:	SHEET