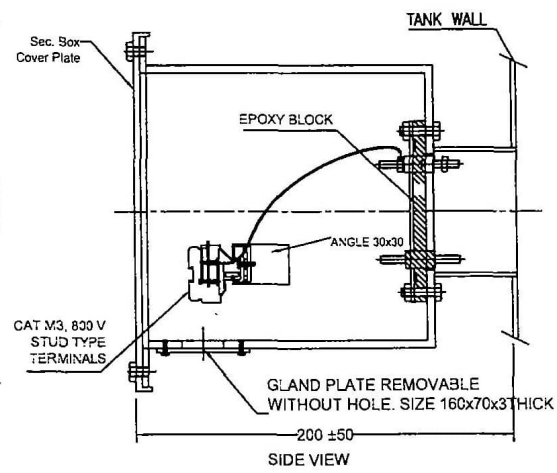
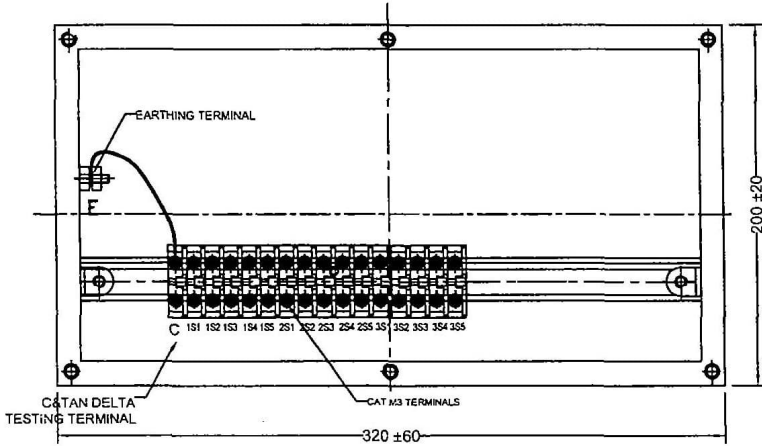


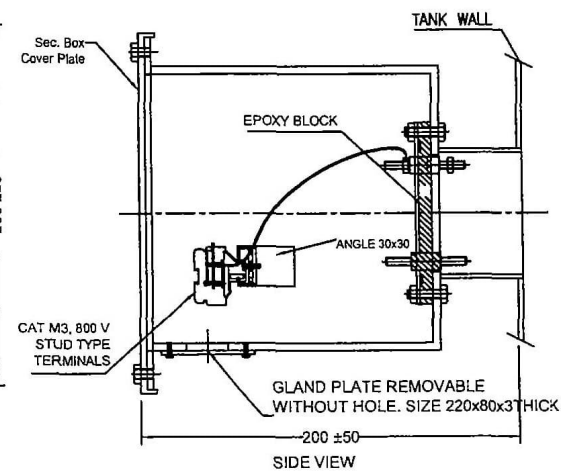
REAR VIEW



SIDE VIEW



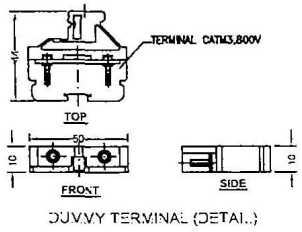
FRONT VIEW



SIDE VIEW

NOTE:

1. Secondary terminal box shall be provided removable gland plate without hole.
2. Secondary Terminal Box shall be provided with Cover.
3. MS Sheet thickness for terminal box 3 mm & for Cover 2 mm.
4. Degree of Protection :- IP 55



DUPPLY TERMINAL (DETAIL..)

CUSTOMER	BIHAR STATE POWER TRANSMISSION CO. LTD.		
THE DRAWING IS THE PROPERTY OF THE COMPANY. IT IS TO BE KEPT IN THE OFFICE AND NOT TO BE CIRCULATED OUTSIDE. IT IS TO BE KEPT UNDER LOCK AND KEY. IT IS TO BE KEPT UNDER LOCK AND KEY.			
SUPPLY LOI NO.			
ERECTION LOI NO.			
PROJECT			
SUBSTATION			
VENDORS NAME			
DRG. TITLE	DRG. FOR SECONDARY TERMINAL BOX FOR 132 KV 1200A CT (1200A)		
DRG. NO.	132-KV-CT-120-STB		
SCALE	N <sup>T</sup> S	JOB NO.	SHEET