

MOUNTING DETAIL

S.No.	DESCRIPTION	MATERIAL	QTY
1	NITROGEN VALVE	BRASS	1
2	PRESSURE RELEASE DEVICE	AL+BAKELITE	1
3	OIL FILLING PLUG	MS	1
4	OIL LEVEL INDICATOR	AL+GLASS/ POLY CARBONATE	1
5	PRIMARY TERMINAL	TINNED COPPER	2
6	OIL TANK WITH COVER	MS	1
7	BUSHING CLAMP (Cemented)	GI/CI	2
8	BUSHING	H V PORCELAIN	1
9	BASE	MS	1
10	SECONDARY TERMINAL BOX	MS	1
11	LIFTING HOLE	MS	4
12	EARTHING TERMINAL	SS	2
13	NAME AND RATING PLATE	ALU. ANODISED	1
14	MOUNTING HOLE 17 Ø	MS	4
15	COIL SEAT	MS	4
16	PRIMARY WINDING	COPPER	

WEIGHT OF OIL 25 LITRES APPROX.

TOTAL WEIGHT 125 Kgs APPROX.

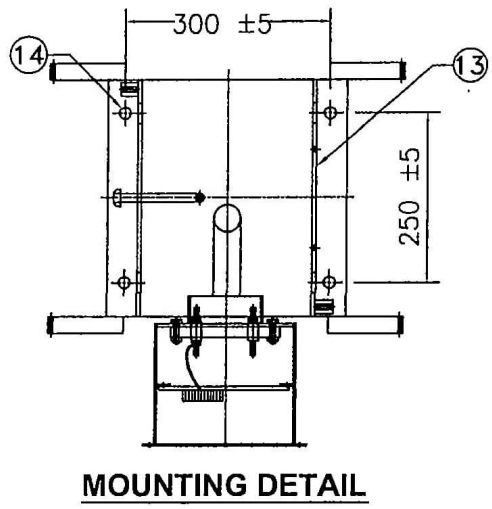
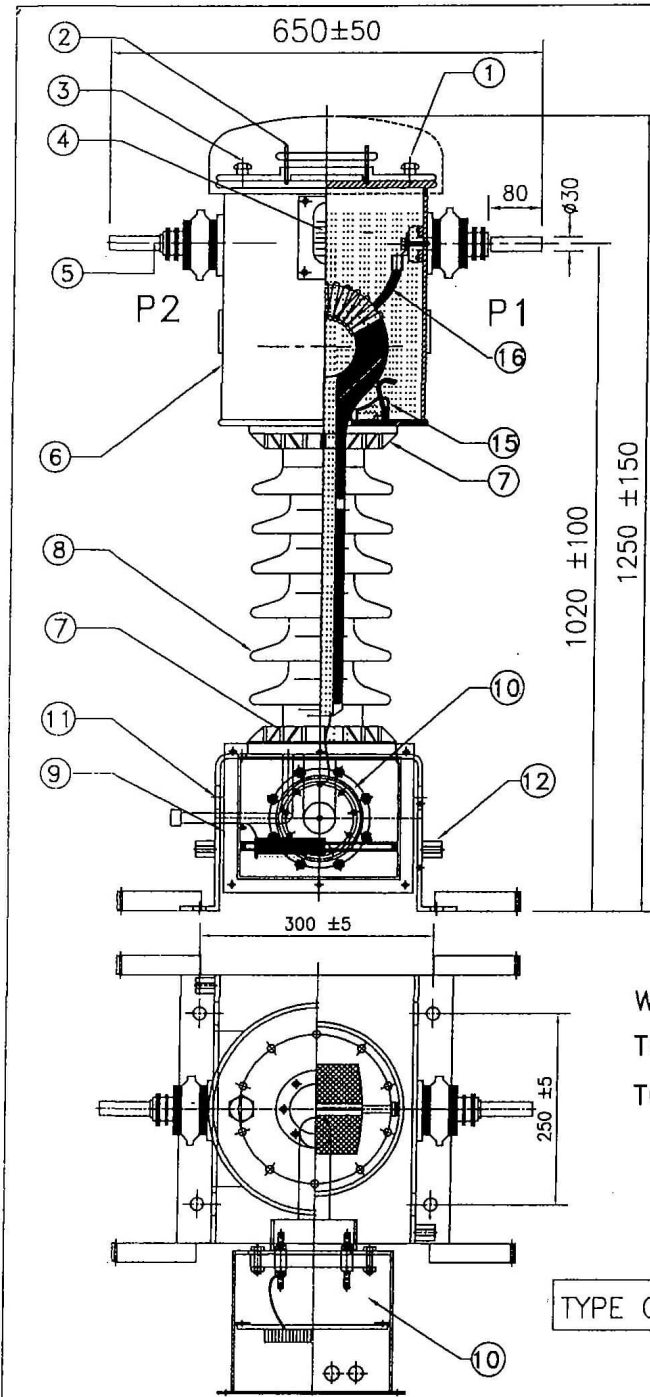
TOTAL CREEPAGE DISTANCE 900 mm (Min)

NOTE :-

1. Make of Bushing : IEC/WSI/ABIL/MODERN/BHEL/CJI
 ALL FERROUS PARTS EXPOSED TO THE ATMOSPHERE SHALL
 BE HOT DIP GALVANISED AND THEN EPOXY PAINTED HAVING
 LIGHT GREY CONFIRMING TO SHADE 631 QE IS5

TYPE OF CT: LIVE TANK TYPE

CUSTOMER	BIHAR STATE POWER TRANSMISSION CO. LTD.		
<small>THIS DRAWING IS THE PROPERTY OF A.J.S. TECHNICAL PRACTICE & ENGINEERING AND NOT TO BE REPRODUCED OR USED IN ANY MANNER WITHOUT THE WRITTEN PERMISSION.</small>			
SUPPLY LOI NO.			
ERECTION LOI NO.			
PROJECT			
SUBSTATION			
VENDORS NAME			
DRG. TITLE	SECTIONAL ARRANGEMENT DRAWING FOR 33 KV CT (120%)		
DRG. NO.	33-KV-CT-120-SA		
SCALE:	NTS	JOB NO:	SHEET



S.No.	DESCRIPTION	MATERIAL	QTY
1	NITROGEN VALVE	BRASS	1
2	PRESSURE RELEASE DEVICE	AL+BAKELITE	1
3	OIL FILLING PLUG	MS	1
4	OIL LEVEL INDICATOR	AL+GLASS/ POLY CARBONATE	1
5	PRIMARY TERMINAL	TINNED COPPER	2
6	OIL TANK WITH COVER	MS	1
7	BUSHING CLAMP (Cemented)	GI	2
8	BUSHING	H V PORCELAIN	1
9	BASE	MS	1
10	SECONDARY TERMINAL BOX	MS	1
11	LIFTING HOLE	MS	4
12	EARTHING TERMINAL	SS	2
13	NAME AND RATING PLATE	ALU. ANODISED	1
14	MOUNTING HOLE 17 ϕ	MS	4
15	COIL SEAT	MS	4
16	PRIMARY WINDING	COPPER	

WEIGHT OF OIL 25 LITRES APPROX.
 TOTAL WEIGHT 125 Kgs APPROX.
 TOTAL CREEPAGE DISTANCE 900 mm.

NOTE :-
 1. Make of Bushing : IEC/WSI/ABIL/MODERN/BHEL/CJI
 ALL FERROUS PARTS EXPOSED TO THE ATMOSPHERE SHALL
 BE HOT DIP GALVANISED AND THEN EPOXY PAINTED HAVING
 LIGHT GREY CONFIRMING TO SHADE 631 OF IS5

WEIGHT OF OIL 25 LITRES APPROX.
 TOTAL WEIGHT 125Kgs APPROX.
 TOTAL CREEPAGE DISTANCE 900 mm (Min)

TYPE OF CT: LIVE TANK TYPE

CUSTOMER	BIHAR STATE POWER TRANSMISSION CO. LTD.		
<small>THIS DRAWING IS THE PROPERTY OF RAJESH TECHNICALS & ENGINEERING CO. LTD. AND NOT TO BE CIRCULATED OR USED WITHOUT THEIR WRITTEN PERMISSION.</small>			
SUPPLY LOI NO.			
ERECTION LOI NO.			
PROJECT			
SUBSTATION			
VENDORS NAME			
DRG. TITLE	SECTIONAL ARRANGEMENT DRAWING FOR 33 KV CT (120%)		
DRG. NO.	33-KV-CT-120-SA		
SCALE:	NTS	JOB NO:	SHEET