

CAPACITOR VOLTAGE TRANSFORMER

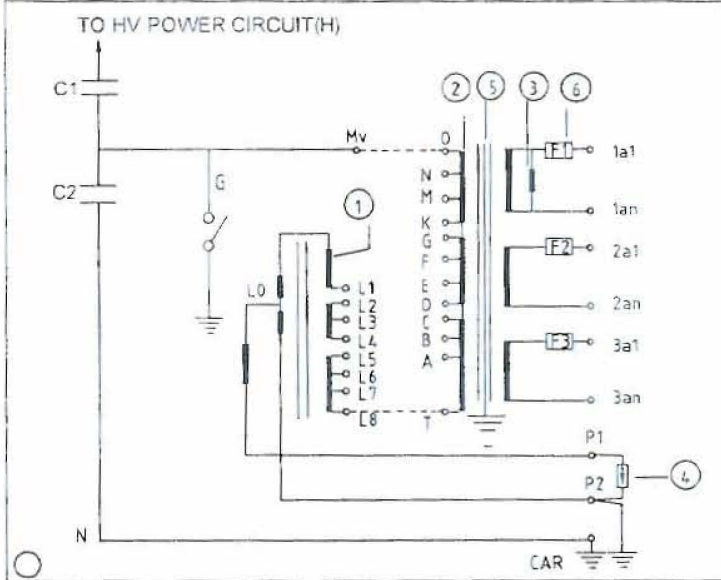
Made in India.

RATING AND SCHEMATIC PLATE

Customer: BIHAR STATE POWER TRANSMISSION COMPANY LIMITED
 Contractor:

Project:

Type **TCVT 245** Insulation level **450kV / 1050kV_p** Standard **IEC60044-5** Capacitance **4400pF +10% -5%** Total Weight **270 Kg.** S.O No **3003874219**
 Highest System voltage **245 kV** Voltage Factor **1.2 Cont / 1.5 - 30 sec** Frequency **50 Hz.** Simultaneous Burden **50 VA / 0.2** Oil weight **36 kg** Sr. No Year



	H - N	1a1 - 1an	2a1 - 2an	3a1 - 3an
VOLTS	$220000/\sqrt{3}$	$110/\sqrt{3}$	$110/\sqrt{3}$	$110/\sqrt{3}$
VA BURDEN	---	50	50	50
ACC CLASS	---	3P	3P	0.2

Notes 1
 1 : Series Reactor
 2 : Intermediate Transformer
 3 : Filter
 4 : Protective gap
 5 : Faraday Shield
 6 : Fuses

H : HV Terminal
 N : HF Terminal
 C1 : Pri. Capacitance
 C2 : Sec. Capacitance
 G : MV tap grounding switch
 MV: Intermediate Voltage tap

Caution
 1) Short circuit the capacitor units when erecting dismantling the CVT and remove the short circuit before pre-test or commissioning.
 2) Under no condition should the Load / Burden values mentioned on the Rating Plate be exceeded
 3) When terminal N is not used for HF transmission It must be connected to Earth when Supplied N is connected to Earth

Notes 2
 1) Connection between L1--L8 & A,D--0 are made in factory as required.
 2) Suitable for Hot line Washing.

NOTE: SERIAL NO. IS ENGRAVED ON RATING PLATE.

RATING PLATE DETAILS:
 MATERIAL: AL ALLOY
 SIZE: 250x150x1 mm THICK.
 COLOUR: LETTERS SCREEN PRINTED IN BLACK OVER AL NATURAL BACKGROUND.

Date	Customer: BIHAR STATE POWER TRANSMISSION COMPANY LIMITED	Descr: 245KV, Outdoor, oil cooled hermetically sealed Capacitive Voltage Transformer.	Sales Order no:	Item no:	Qty: --	NOT TO SCALE
Prep. /	Contractor:	Details: Rating Plate Drawing.				All dimensions are in MM
Ckd. /	Project:			Drg. No:--	245-KV-CVT-RP	Sh 1
Norm. /	Original/Replaced By: --					1 SH