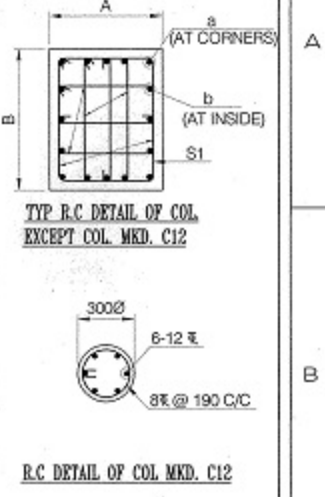


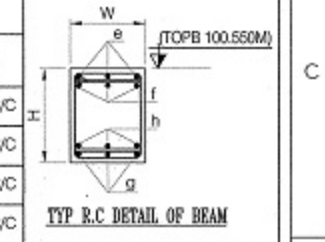
SCHEDULE OF COLUMN:-

COL. MKD.	COL. SIZE		GRID MKD.	NOS. OF COL.	LONGITUDINAL REINFORCEMENTS			LATERAL TIES
	A	B			CORNER	INSIDE	PERIPHERAL	
C1	300	500	A1 & E1	2	4-16	8-16	-	8# @ 190 C/C (3 NOS./SET)
C2	500	750	B1 & C3	2	4-32	12-25	-	8# @ 190 C/C (5 NOS./SET)
C3	500	750	C1	1	4-32	12-28	-	8# @ 190 C/C (5 NOS./SET)
C4	500	750	D1	1	4-28	12-20	-	8# @ 190 C/C (5 NOS./SET)
C5	400	500	A2	1	4-28	8-20	-	8# @ 190 C/C (3 NOS./SET)
C6	400	500	E2	1	4-20	8-20	-	8# @ 190 C/C (3 NOS./SET)
C7	300	500	A3 & B4	2	4-20	4-16	-	8# @ 190 C/C (2 NOS./SET)
C8	500	750	B3	1	4-28	8-28	-	8# @ 190 C/C (3 NOS./SET)
C9	500	750	D3	1	4-25	8-20	-	8# @ 190 C/C (3 NOS./SET)
C10	300	500	A4, B5, C4, C5, D5, E3 & E4	7	4-16	4-12	-	8# @ 190 C/C (2 NOS./SET)
C11	300	500	A5, D4 & E5	3	4-16	4-16	-	8# @ 190 C/C (2 NOS./SET)
C12	3000	F3 & F4	2	-	-	-	6-12	8# @ 190 C/C (1 NO./SET)
SC1	230	230		1	4-16	4-12	-	8# @ 190 C/C (2 NOS./SET)



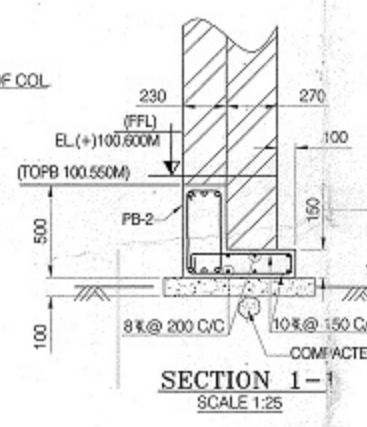
SCHEDULE OF PLINTH BEAM:-

BEAM MKD.	BEAM SIZE		REINFORCEMENTS				STIRRUPS	
	W	H	TOP (ALTH.)	TOP (EXTRA)	BOTTOM (ALTH.)	BOTTOM (ALTH.)	S1 (NEAR SUPPORT)	S2 (AT SPAN)
PB1	230	500	3-16	2-16	3-16	-	8# @ 200 C/C	8# @ 200 C/C
PB2	230	500	3-16	3-16	3-16	-	8# @ 200 C/C	8# @ 200 C/C
PB3	230	500	3-16	2-16	3-16	-	8# @ 150 C/C	8# @ 200 C/C
PB4	230	500	2-12	-	2-16	3-12	8# @ 200 C/C	8# @ 200 C/C



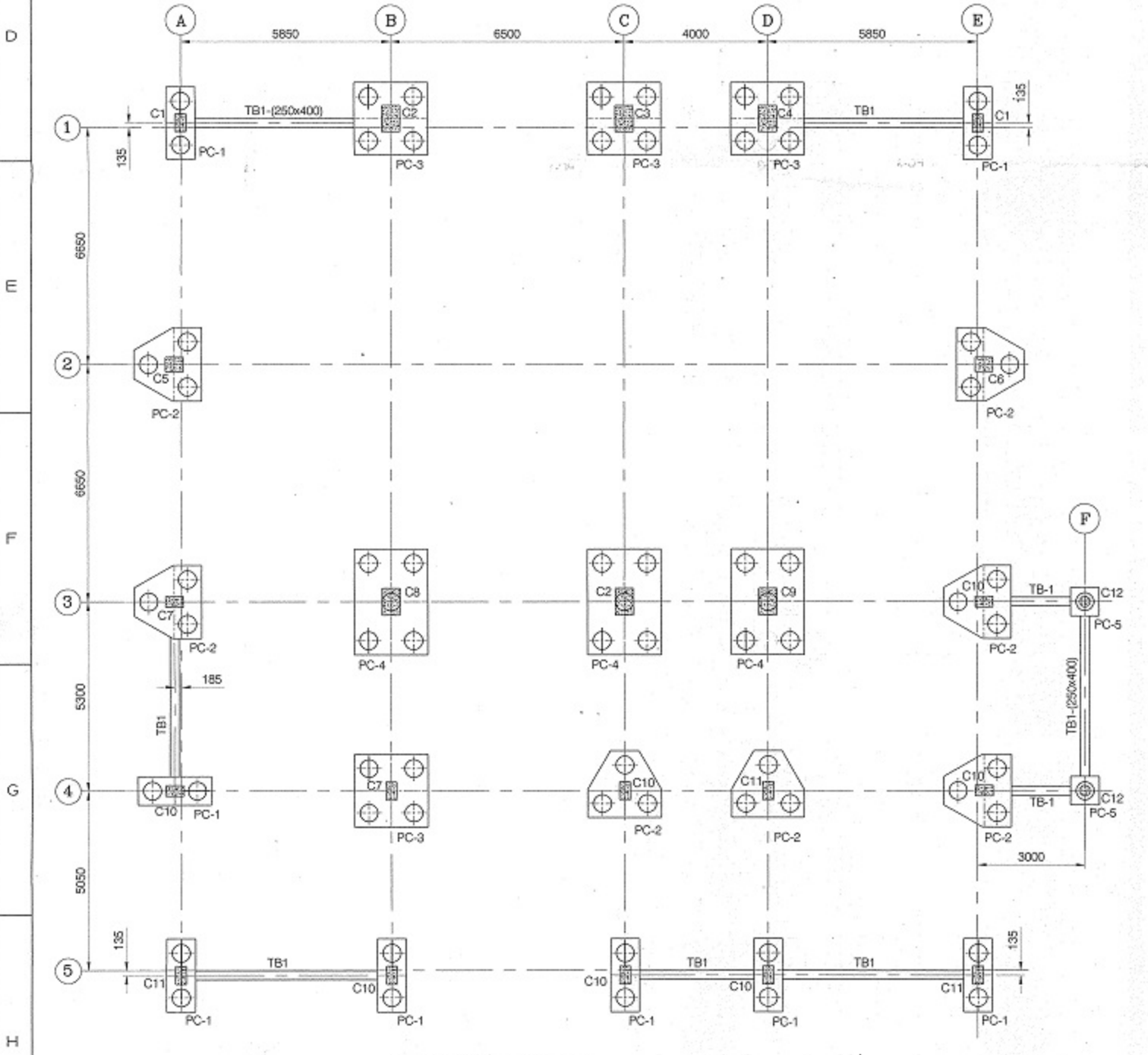
SCHEDULE OF PILE WITH PILE CAP

PILE CAP MKD.	PILES PER PILE CAP	GRID MKD.	REQ. NO. OF PILE	LENGTH OF PILE BELOW CUT OF LEVEL
PC-1	2	A1, A4, A5, B5, C5, D5, E1 & E5	16	10M
PC-2	3	A2, A3, C4, D4, E2, E3 & E4	21	10M
PC-3	4	B1, B4, C1 & D1	16	10M
PC-4	5	B3, C3 & D3	15	10M
PC-5	1	F3 & F4	2	5.50M
TOTAL REQ. NO. OF 500mm PILE			70	

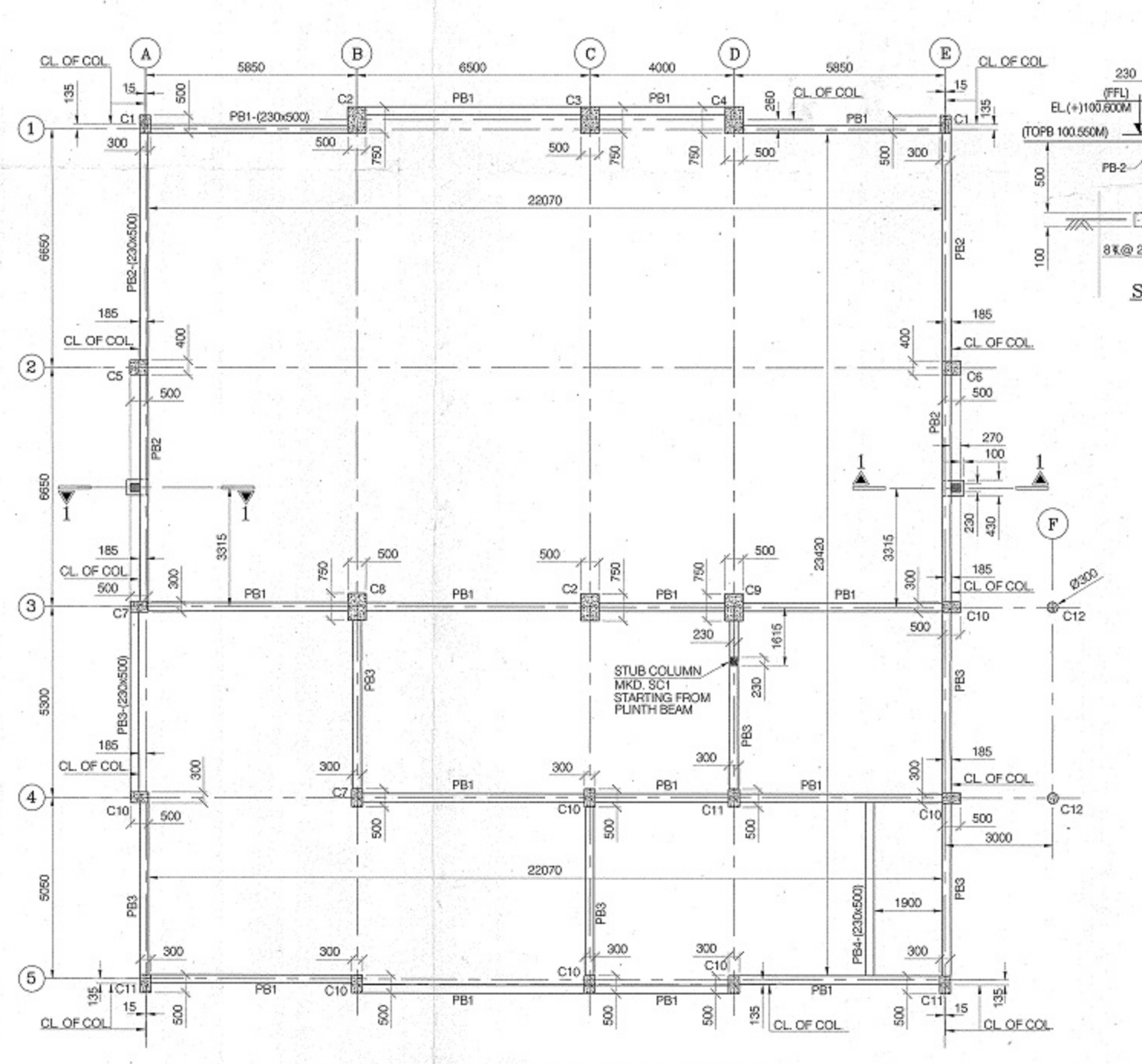


LEGEND

- FFL - FINISHED FLOOR LEVEL
 - FGL - FLOOR FINISHED GROUND LEVEL
 - TOPC - TOP OF PILE CAP
 - BOPC - BOTTOM OF PILE CAP
 - TOPB - TOP OF PLINTH BEAM
- NOTES:-
- ALL DIMENSIONS ARE IN MM & LEVELS IN M.
 - ALL PILE SHOULD BE 500mmØ.
 - THE CAPACITY OF 500mm Ø PILE OF 10.0m LENGTH IS 33.0t & THAT IS OF 5.5m LENGTH IS 13.0 t.
 - CLEAR COVER
 - PILE CAP-50mm (ALL SIDE & TOP)
 - TIE BEAM-50mm (TOP, BOTTOM & SIDE)
 - PLINTH BEAM-25mm (TOP, BOTTOM & SIDE)
 - ALL PCC SHALL BE 1:4:8
 - ALL RCC SHALL BE M20 GRADE AND F500 REINFORCEMENT STEEL.
 - DEVELOPMENT LENGTH SHOULD BE 50 X DIA OF BAR.
 - FOR PILE DETAILS - REFER DRAWING-TYPICAL DETAILS OF PILE. DRAWING NO.-05699-MSHR-SUBS-SWYD-C-DRG-FILE-001.



PILE LAYOUT PLAN
500MM DIA & 10 M LENGTH PILE- 70 NOS. REQD.
SCALE: 1:100
CENTER OF PILE CAP SHALL MATCH WITH CORRESPONDING COLUMN CENTER



COLUMN & PLINTH BEAM LAYOUT PLAN
SCALE: 1:100

CUSTOMER	BIHAR STATE POWER TRANSMISSION CO. LTD.		
SUPPLY P.O. NO.			
ERECTION W.O. NO.			
PROJECT			
SUBSTATION			
DRG. TITLE	CONTROL ROOM BUILDING-FOUNDATION DETAILS		
DRG. NO.	BSPTCL/CRB FDN. DETAILS/23.		
SCALE:	1:100	JOB NO: 05699	SHEET 1 OF 1