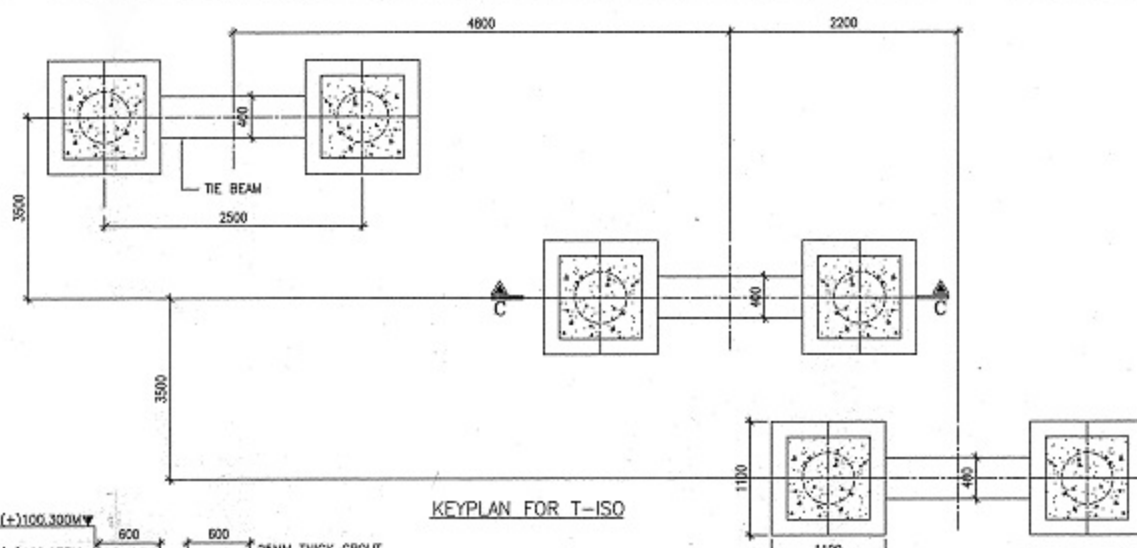
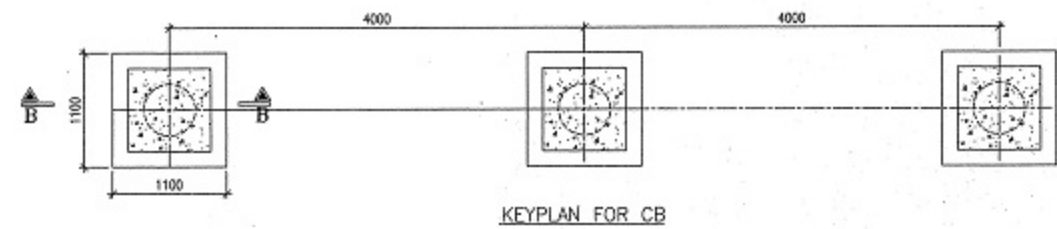


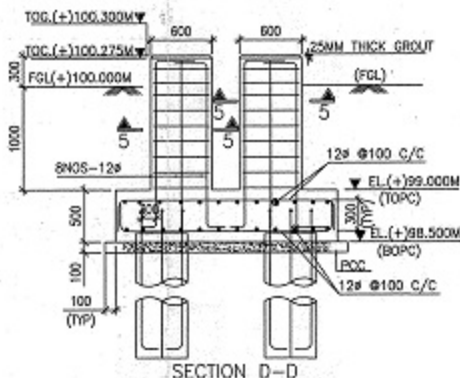
KEYPLAN FOR ISO(2 E/S) & ISO(1 E/S)



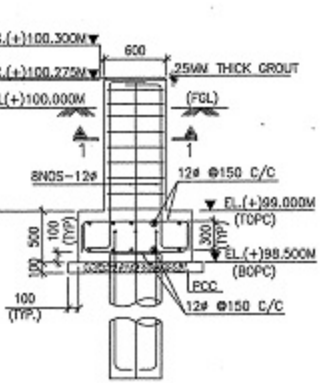
KEYPLAN FOR T-ISO



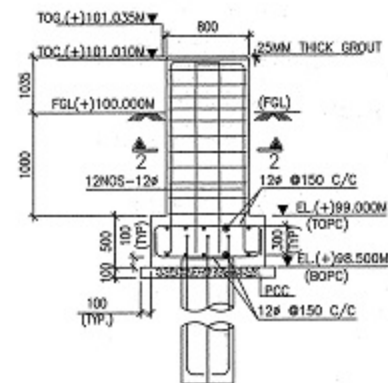
KEYPLAN FOR CB



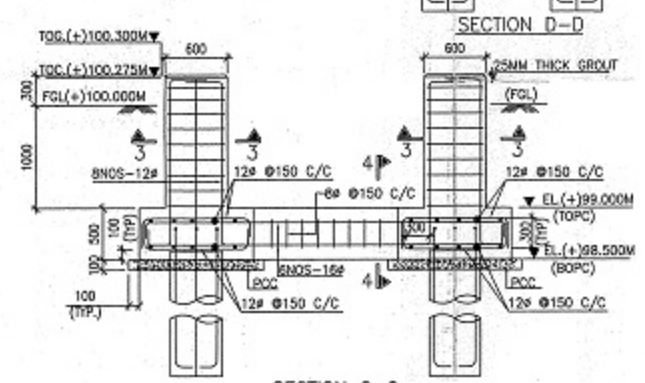
SECTION D-D



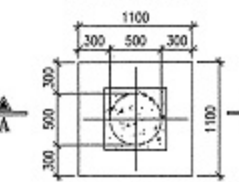
SECTION A-A



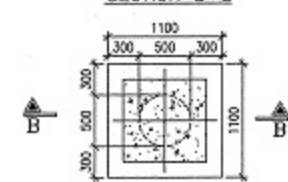
SECTION B-B



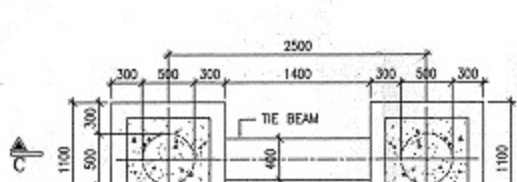
SECTION C-C



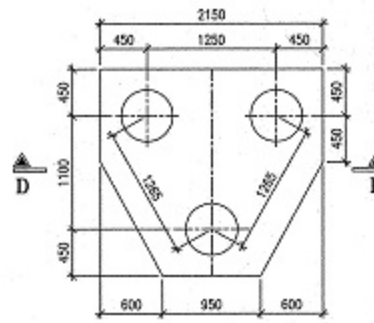
PLAN 1P GROUP-500# TYPE-1



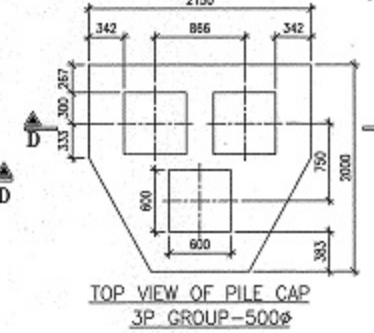
PLAN 1P GROUP-500# TYPE-2



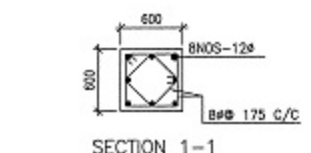
PLAN 2P GROUP-500# TYPE-3



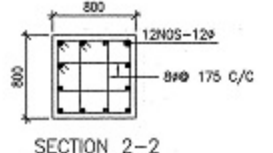
BOTTOM VIEW OF PILE CAP TYPE-4



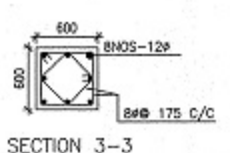
TOP VIEW OF PILE CAP 3P GROUP-500# TYPE-4



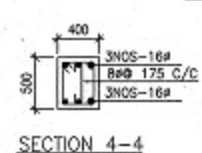
SECTION 1-1



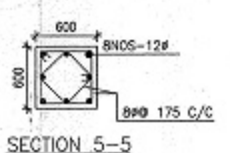
SECTION 2-2



SECTION 3-3



SECTION 4-4



SECTION 5-5



TIE ARRANGEMENT



TIE ARRANGEMENT



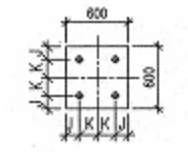
TIE ARRANGEMENT



TIE ARRANGEMENT



TIE ARRANGEMENT



ANCHOR BOLT DETAILS

ANCHOR BOLT & PEDESTAL REINFORCEMENT DETAILS:-

SL.NO	TOWER MKD.	TYPE	NO. OF EQUIPMENT	NO. OF PILE/EQUIPMENT	TOTAL NO OF PILE	REQ. ANCHOR BOLT/DOL	PEDESTAL REINFORCEMENT	PILE LENGTH	ANCHOR BOLT DISTANCE	
									J	K
1.	BPI(HL)	TYPE-1	9	1	9	4NOS.-28#	8 NOS-12#	6000	112.5	187.5
2.	BPI(LL)	TYPE-1	105	1	105	4NOS.-24#	8 NOS-12#	6000	150	150
3.	CT(HL)	TYPE-1	24	1	24	4NOS.-28#	8 NOS-12#	6000	125	175
4.	CT(LL)	TYPE-1	6	1	6	4NOS.-24#	8 NOS-12#	6000	125	175
5.	CVT	TYPE-1	27	1	27	4NOS.-20#	8 NOS-12#	6000	150	150
6.	LA	TYPE-1	24	1	24	4NOS.-20#	8 NOS-12#	6000	150	150
7.	ISO(2 E/S)	TYPE-3	11 SETS	1 SET=6 PILE	66	4NOS.-24#	8 NOS-12#	6000	125	175
8.	ISO(1 E/S)	TYPE-3	12 SETS	1 SET=6 PILE	72	4NOS.-24#	8 NOS-12#	6000	125	175
9.	T-ISO	TYPE-3	17 SETS	1 SET=6 PILE	102	4NOS.-24#	8 NOS-12#	6000	125	175
10.	WT	TYPE-4	18	3	54	4NOS.-20#	8 NOS-12#	6000	150	150
TOTAL					519					

NOTES:-

1. ALL DIMENSION ARE IN MM.
2. THE CAPACITY OF 500MM # PILE OF 6M LENGTH.
3. CONCRETE GRADE SHALL BE M20 (1:1.5:3) & STEEL GRADE SHALL BE Fe500.
4. PCC GRADE SHALL BE 1:4:8
5. LEVEL OF FGL CONSIDERED AS 100.00 N.
6. CLEAR COVER FOR PILE CAP=100MM, PEDESTAL=40MM & TIE BEAM=25MM
7. DEVELOPMENT LENGTH/LAP LENGTH SHALL BE 50#.
8. FOR ANCHOR BOLT DETAILS OF 'CB' REFER VENDOR DRAWING (4) C714HS-EM03-248A.
9. FOR EQUIPMENT FOUNDATION LAYOUT - REFER DRAWING NO- 05699-WSR-SUBS-SWYD-C-DRG-33-001

LEGEND:-

- TOG - TOP OF GROUTING
- TOC - TOP OF CONCRETE
- FGL - FINISHED GROUND LEVEL
- EL. - ELEVATION LEVEL
- TOPC. - TOP OF PILE CAP
- BOPC. - BOTTOM OF PILE CAP
- REIN. - REINFORCEMENT
- MKD. - MARKED
- UOS - UNLESS OTHERWISE SPECIFIED
- TYP. - TYPICAL
- C/C - CENTER TO CENTER
- 3P - PILE NUMBERS PER GROUP

CUSTOMER	BHAR STATE POWER TRANSMISSION CO. LTD.
CLIENT	
SUPPLY LOI NO.	
ERECTION LOI NO.	
PROJECT	
SUBSTATION	
DRG. TITLE	FOUNDATION DETAILS FOR 220KV EQUIPMENTS
DRG. NO.	BSPCL.FDN.EQP.220KV.18
SCALE	NTS
JOB NO.	05699
SHEET	1 OF 1