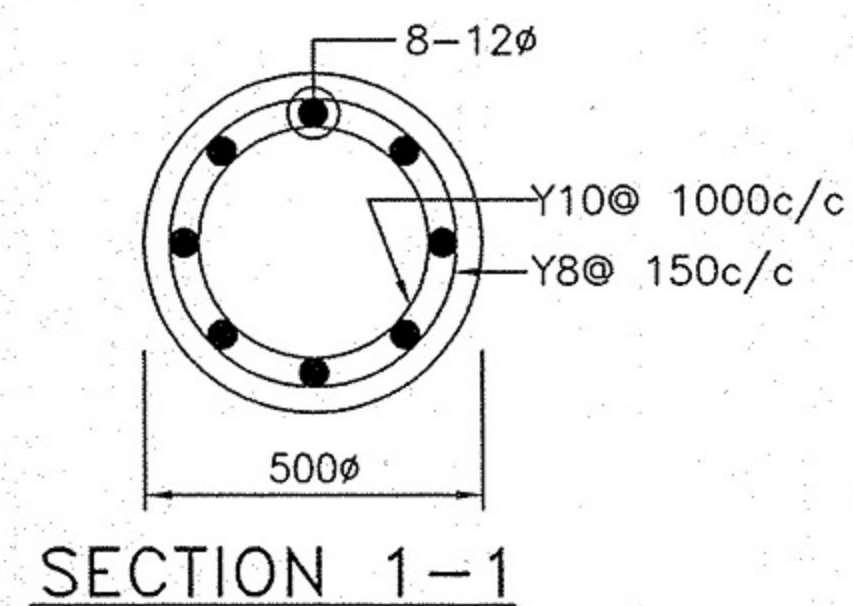


500 DIA PILE DETAIL



NOTES:-

- 1) ALL DIMENSIONS ARE IN MM AND ALL LEVELS ARE IN METRES.
- 2) CONCRETE GRADE SHALL BE M20 (1:1.5:3).
3. REINFORCEMENT STEEL SHALL BE OF GRADE Fe500 CONFORMING TO IS:1786 (1987).
- 4) LAP LENGTH OF 50 TIMES BAR DIA SHALL BE PROVIDED IN THE REINFORCEMENT.
- 5) DEVELOPMENT / LAP LENGTH SHALL BE 50 TIMES DIA OF BAR.
- 6) REINFORCEMENT OF PILE SHALL PROJECT 50 TIMES BAR DIA INTO THE PILE CAP.
- 7) PILE TERMINATION POINT SHALL BE ESTABLISHED AT SITE AS PER REQUIREMENT.
- 8) CLEAR COVER SHALL BE - AS 50MM.

CUSTOMER	BIHAR STATE POWER TRANSMISSION CO. LTD.		
SUPPLY LOI NO.			
ERECTION LOI NO.			
PROJECT			
SUBSTATION			
DRG. TITLE	TYPICAL DETAILS OF PILE FOR 6M LENGTH		
DRG. NO.	BSPTCL/PILE DETAILS/24.		
SCALE:	NTS	JOB NO: 05699	SHEET 1 OF 1