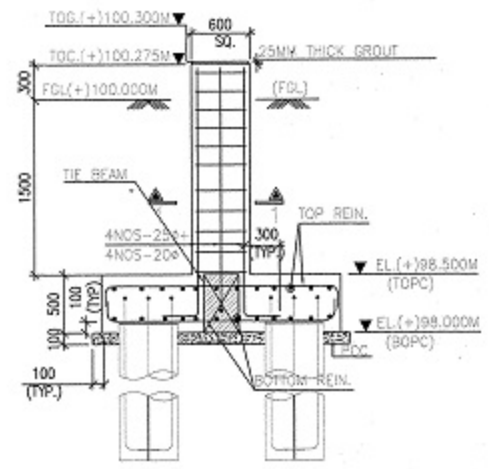
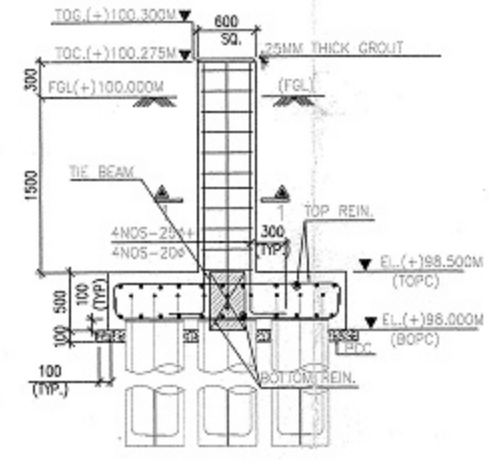


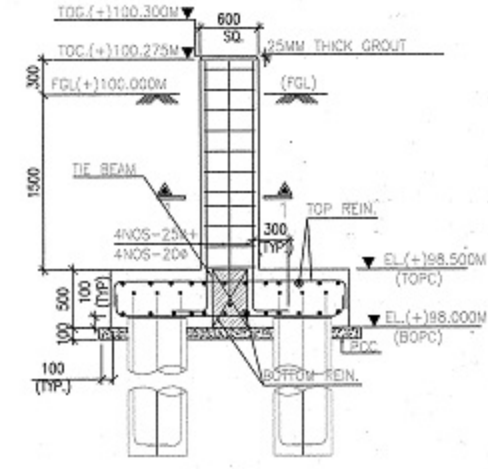
SECTION A-A



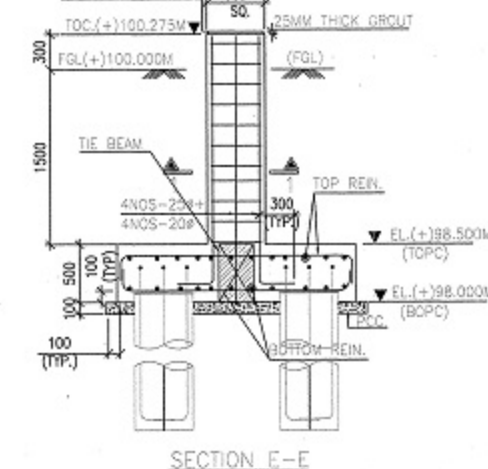
SECTION B-B



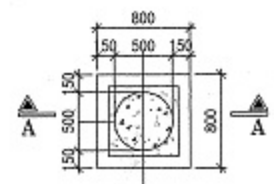
SECTION C-C



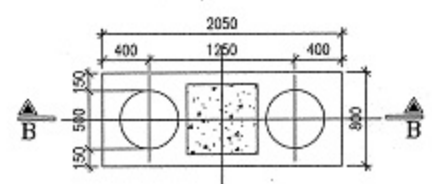
SECTION D-D



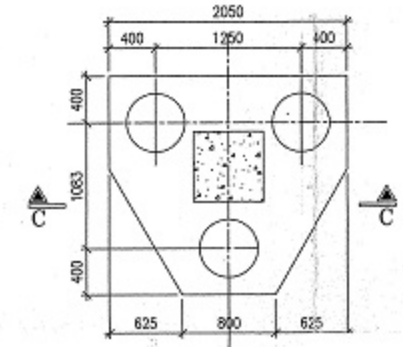
SECTION E-E



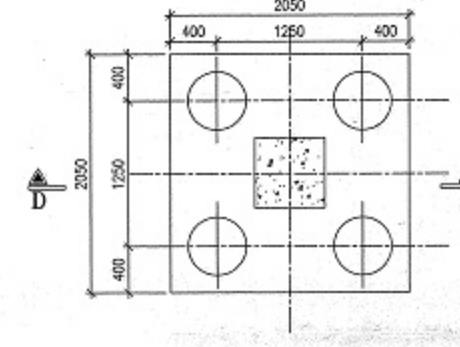
1P GROUP-500Ø



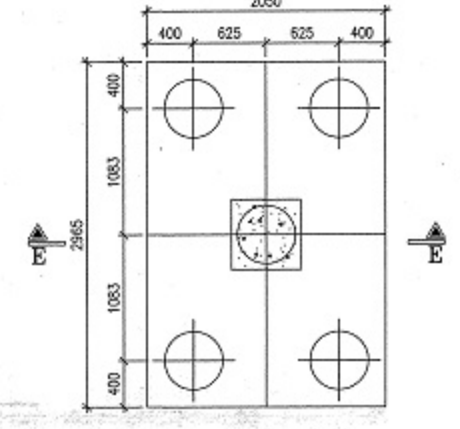
2P GROUP-500Ø



3P GROUP-500Ø



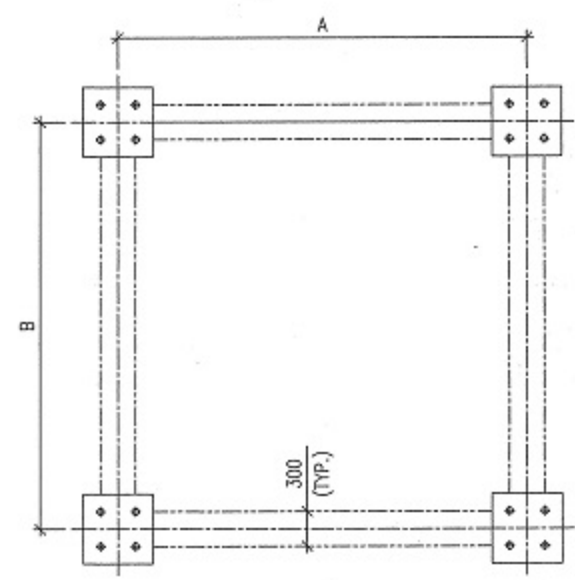
4P GROUP-500Ø



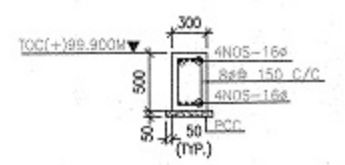
5P GROUP-500Ø

ANCHOR BOLT DETAILS
(TOWER MKD. - CC, CTB, CTC, CTE, CTG & CTH)

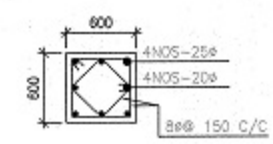
ANCHOR BOLT DETAILS
(TOWER MKD. - CTD)



TYPICAL PEDESTAL PLAN



TIE BEAM TYP. DETAILS



SECTION 1-1

TIE ARRANGEMENT

- LEGEND:-
- TOG - TOP OF GROUTING
 - TOC - TOP OF CONCRETE
 - FGL - FINISHED GROUND LEVEL
 - EL. - ELEVATION LEVEL
 - TOPC - TOP OF PILE CAP
 - BOPC - BOTTOM OF PILE CAP
 - REIN. - REINFORCEMENT
 - MKD. - MARKED
 - UOS - UNLESS OTHERWISE SPECIFIED
 - NA - NOT APPLICABLE
 - TYP. - TYPICAL
 - NOS. - NUMBERS
 - C/C - CENTER TO CENTER
 - DWG. NO. - DRAWING NUMBER
- 3P - PILE NUMBERS PER GROUP

- NOTES:-
1. ALL DIMENSION ARE IN MM. UOS
 2. THE CAPACITY OF 500MM Ø PILE OF 10.0M LENGTH.
 3. CONCRETE GRADE SHALL BE M20 (1:1.5:3).
 4. PCC GRADE SHALL BE 1:4:8
 5. FGL CONSIDERED 100.00 M.
 6. FOR PILE DETAILS: - REFER DRAWING - TYPICAL DETAILS OF PILE. DRAWING NO- 05699-MSHR-SUBS-SWYD-C-DRG-PILE-001.
 7. FOR TOWER FOUNDATION LAYOUT - REFER DRAWING NO- 05699-MSHR-SUBS-SWYD-C-DRG-33-001

SL. NO.	TOWER MKD.	TOWER B/B.	TOWER C/C.		PEDESTAL SIZE		PILE CAP DETAILS				REQD. NOS. OF PILE PER TOWER	TOTAL NOS. OF TOWER	TOTAL PILES	REQ. ANCHOR BOLT	ANCHOR BOLT DISTANCE	
			A	B	C	D	PILE GROUP	DEPTH OF PILE CAP	BOTTOM REIN.	TOP REIN.					J	K
1	CC	3.5m x 2.5m	3444	2444	600	600	1	500	12Ø @ 150 C/C	12Ø @ 150 C/C	4	5	20	4NOS-28Ø	195	105
2	CTB	2.5m x 3.5m	2410.8	3410.8	600	600	2	500	12Ø @ 150 C/C	12Ø @ 150 C/C	4	4	84	4NOS-56Ø	140	160
							3	500	16Ø @ 175 C/C	12Ø @ 125 C/C	10					
3	CTC	3.5m x 3.5m	3411	3411	600	600	2	500	12Ø @ 150 C/C	12Ø @ 150 C/C	6	5	45	4NOS-56Ø	140	160
							4	500	12Ø @ 150 C/C	12Ø @ 150 C/C	4					
4	CTD	2.5m x 3.5m	2438.2	3438.2	600	600	3	500	12Ø @ 125 C/C	12Ø @ 150 C/C	3	4	44	3NOS-40Ø	195	105
							2	500	12Ø @ 150 C/C	12Ø @ 150 C/C	4					
5	CTE	3.5m x 3.5m	3417	3417	600	600	4	500	12Ø @ 150 C/C	12Ø @ 125 C/C	4	7	84	4NOS-56Ø	140	160
							3	500	12Ø @ 125 C/C	12Ø @ 150 C/C	6					
6	CTG	3.5m x 2.5m	3440	2440	600	600	1	500	12Ø @ 150 C/C	12Ø @ 150 C/C	4	9	36	4NOS-28Ø	195	105
							3	500	12Ø @ 125 C/C	12Ø @ 150 C/C	6					
7	CTH	3.5m x 2.5m	3426.5	2426.5	600	600	2	500	12Ø @ 150 C/C	12Ø @ 150 C/C	2	6	60	4NOS-40Ø	195	105
							4	500	12Ø @ 150 C/C	12Ø @ 150 C/C	4					
TOTAL PILE REQUIRED - 373 NOS.																

CUSTOMER	BIHAR STATE POWER TRANSMISSION CO. LTD.
SUPPLY LOT NO.	
ERECTION LOT NO.	
PROJECT	
SUBSTATION	
DRG. TITLE	FOUNDATION DETAILS FOR 220KV TOWER
DRG. NO.	BSPPTCL/TOWER FDN DETAILS/220KV/20
SCALE	NTS
JOB NO.	05699
SHEET	1 OF 1