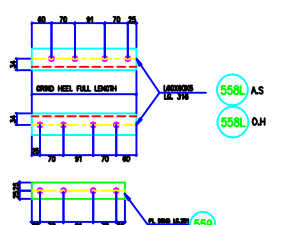
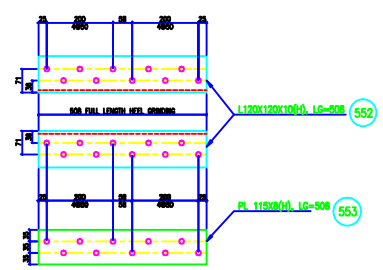
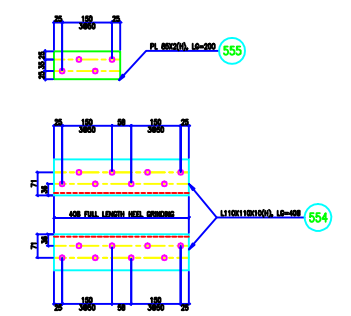
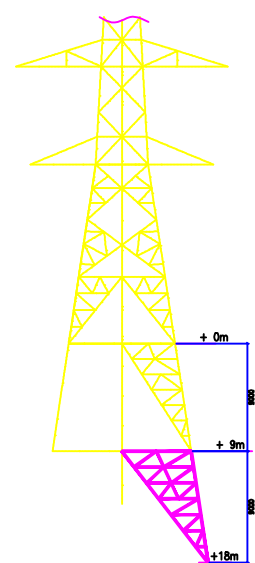
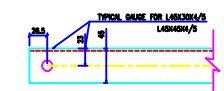
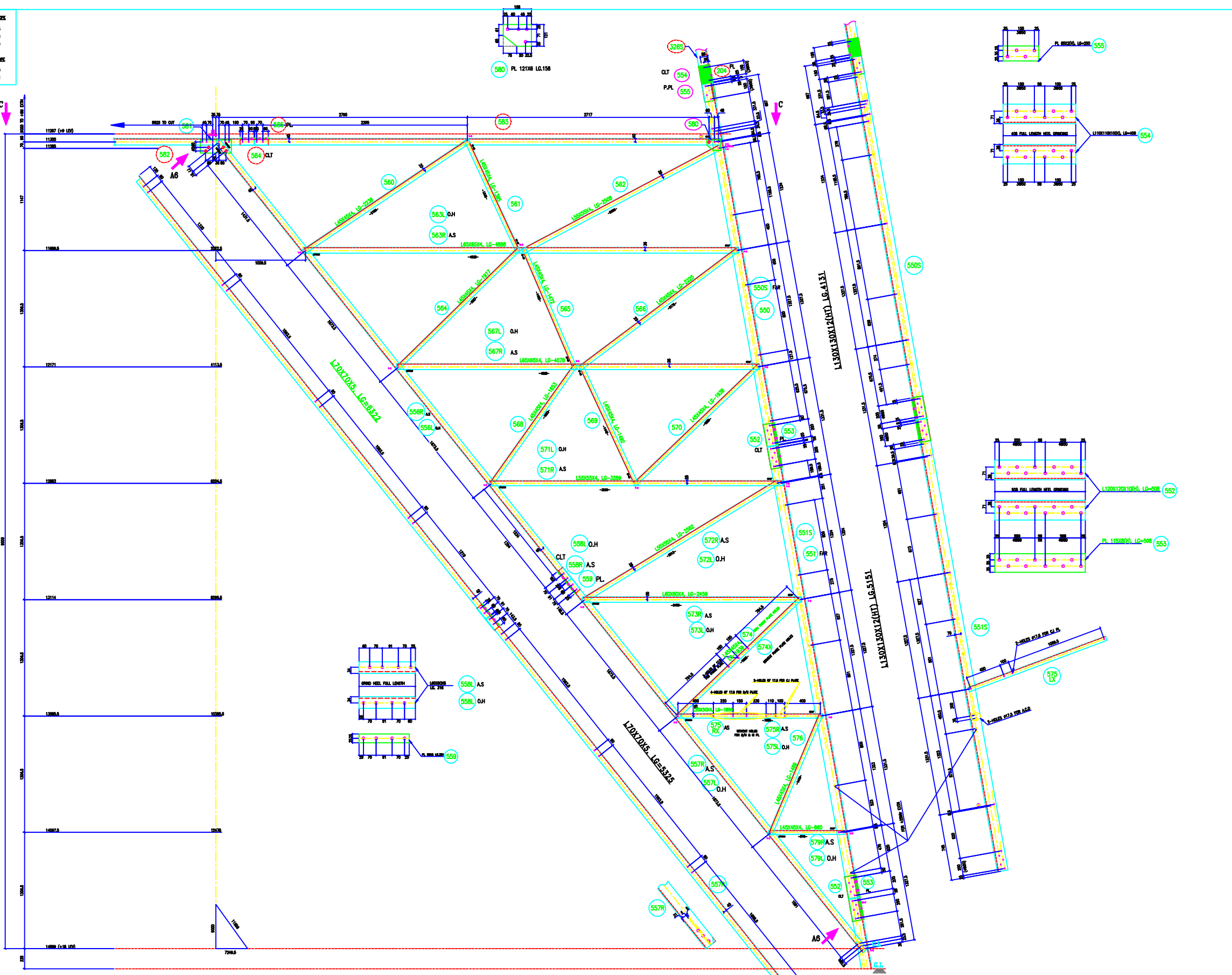


VERTICAL SCALE
 1MM = 0.183465
 2MM = 0.366930
 FACE = 1.211880
 DEVELOP = 1.232111
 ALL FACE DIMS
 1MM = 0.183465
 2MM = 0.366930



BOLTS AND NUTS STATEMENT			
TYPE	SIZE (N MM)	QUANTITY	TOTAL
B	# 16X35	16	14
C	# 16X40	184	
D	# 16X45	88	
E	# 16X50	-	
F	# 16X55	224	
G	# 16X60	-	
H	# 16X65	-	
J	# 16X70	-	
K	# 16X75	-	
L	# 16X80	-	
SPRING WASHERS		512	14
30 O.D. PACKING WASHERS # 17.5 MM			
5 mm		-	
6 mm		32	
8 mm		-	
10 mm		-	
STEP BOLTS #16 mm X 175mm		36	

- GENERAL NOTES:
1. ALL DIMENSIONS ARE IN MM UNLESS OTHERWISE SPECIFIED.
 2. MILD STEEL BOLT AND NUTS TO IS 19838/12427/5.6 CLTY.
 3. ALL MILD STEEL BOLT AND NUTS ARE TO BE HOT DIP GALVANIZED AS PER ASTM A533.
 4. ALL MILD STEEL SECTIONS SHALL BE OF TESTED QUALITY CONFORMING TO IS 2062 STANDARD.
 5. GALVANIZATION OF TOWER MEMBERS AND FLAT WASHERS AS PER IS 2029 TO B 2002 STANDARD.
 6. ALL HOLES # 13.0mm FOR #12mm BOLTS.
 7. ALL HOLES # 17.0mm FOR #16mm BOLTS.
 8. ALL HOLES # 21.0mm FOR #20mm BOLTS.
 9. ALL HOLES # 17.0mm FOR #16mm STEP BOLTS.
 10. STANDARD SPRING WASHERS ARE TO BE USED UNDER EACH NUT.
 11. ALL FABRICATED MEMBERS SHALL HAVE PROTECTIVE PAINT.
 12. INDICATES MEMBERS BEING USED AS STEP BOLTS.
 13. STEP BOLTS ARE TO BE PROVIDED ON TWO DIAGONALLY OPP. LEGS.

MARK NO: 550-581, 204

BIHAR STATE POWER TRANSMISSION COMPANY LTD

DRAWN BY		DESCRIPTION	132KV D/C TOWER TYPE "DD" DETAIL OF +18M EXTENSION	SCALE	-
CHECKED BY		DRG NO	132KV-D/C-Struct-±18M-Extn-411	SHEET NO	1-1
APPROVED BY				REV.	0