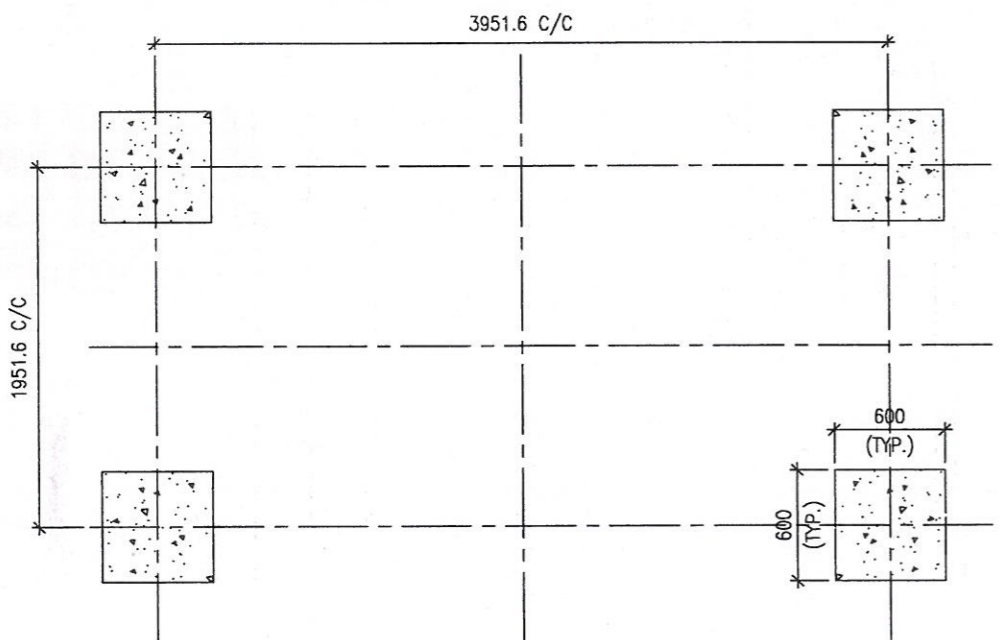
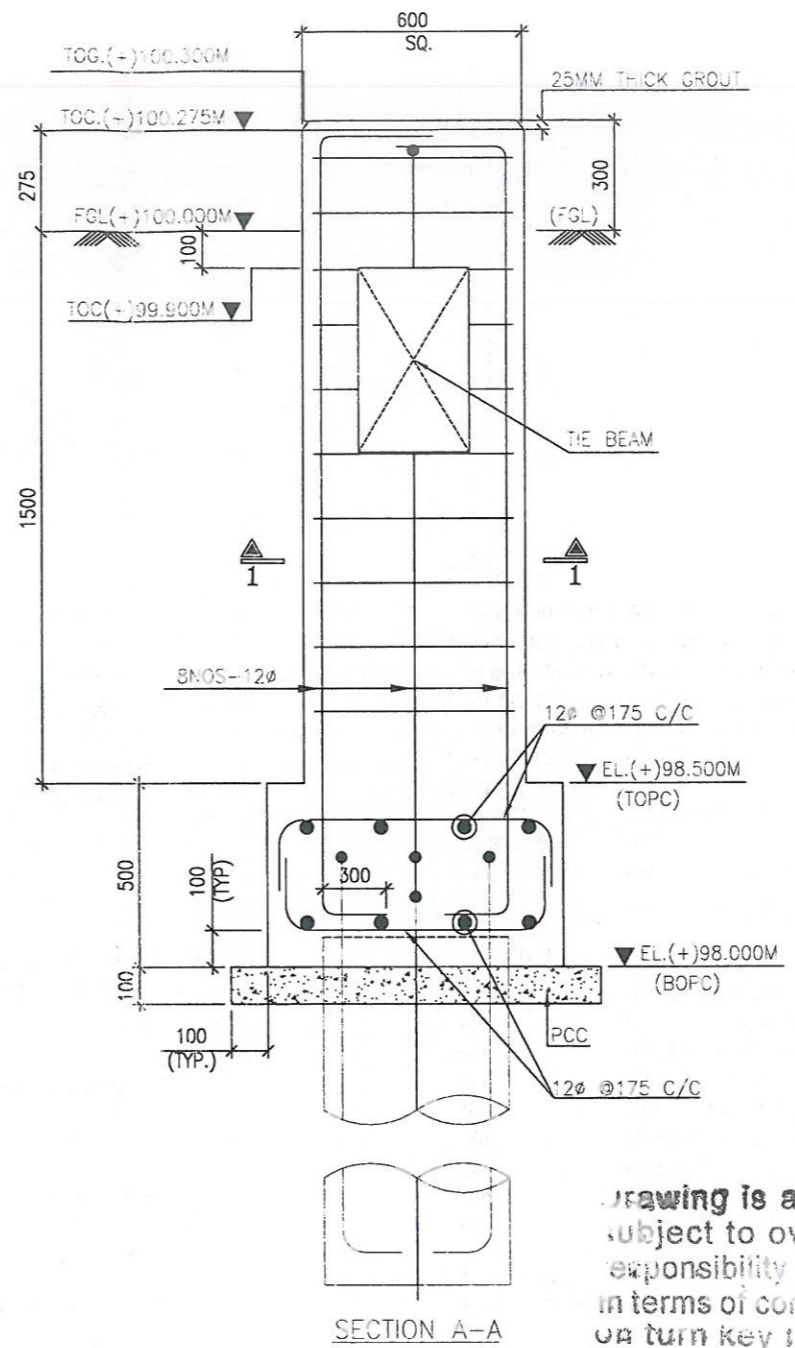


A-FRAME PILE LAYOUT



COLUMN LAYOUT



SECTION A-A

NOTES:-

1. ALL DIMENSION ARE IN MM. UOS
2. ALL PILE SHALL BE 500mm ϕ OF 10M LENGTH & CAPACITY IS 280KN
3. CONCRETE GRADE SHALL BE M20. REINFORCEMENT GRADE SHALL BE FE-500
4. PCC GRADE SHALL BE 1:4:8
5. CLEAR COVER:
 - a) PILE CAP - 100mm(TOP,BOTTOM & SIDES)
 - b) COLUMN - 40mm
 - c) TIE BEAM - 25mm

LEGEND:-

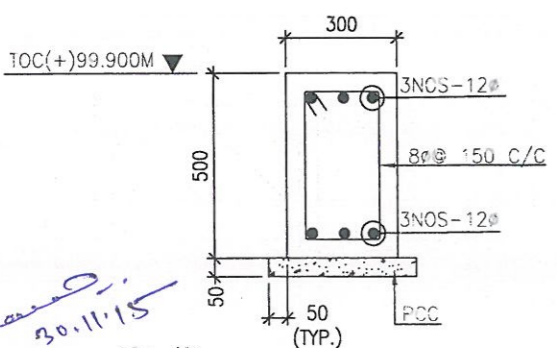
- TOG - TOP OF GROUTING
- TOC - TOP OF CONCRETE
- FGL - FINISHED GROUND LEVEL
- EL. - ELEVATION LEVEL
- TOPC - TOP OF PILE CAP
- BOPC - BOTTOM OF PILE CAP
- TYP. - TYPICAL
- NOS. - NUMBERS
- C/C - CENTER TO CENTER

Drawing is approved
subject to overall
responsibility of the contractor
in terms of contract agreement
on turn key for the work.

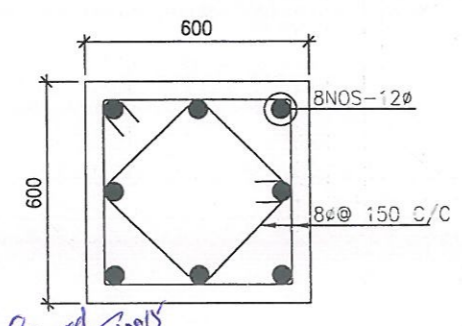
1P
PILE
NUMBERS PER GROUP

[Signature]
Chief Engineer (Civil)
BSPTCL

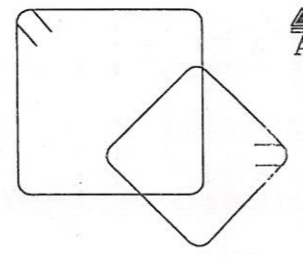
[Signature]
30/11/15
Superintending Engineer (Civil)
BSPTCL



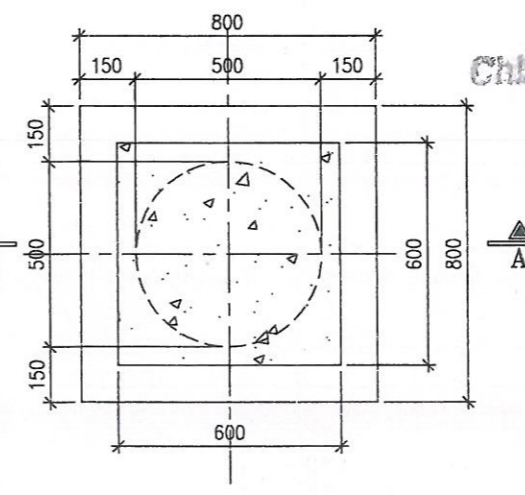
TIE BEAM TYP. DETAILS



SECTION 1-1



TIE ARRANGEMENT



1P GROUP - 500 ϕ

[Signature]
30.11.15
Assistant Engineer (Civil)
BSPTCL

[Signature]
30/11/2015
Executive Engineer (Civil)
B.S.P.T.C.L.

		BIHAR STATE POWER TRANSMISSION CO. LTD.	
DRG. TITLE	STANDARD FOUNDATION DETAILS OF 132KV A-FRAME		
DRG. NO.	BSPTCL-SUBS-SWYD-C-STD-DRG-132KV A-FRAME FDN.		
SCALE	N.T.S	SHEET	1 OF 1