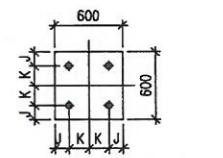
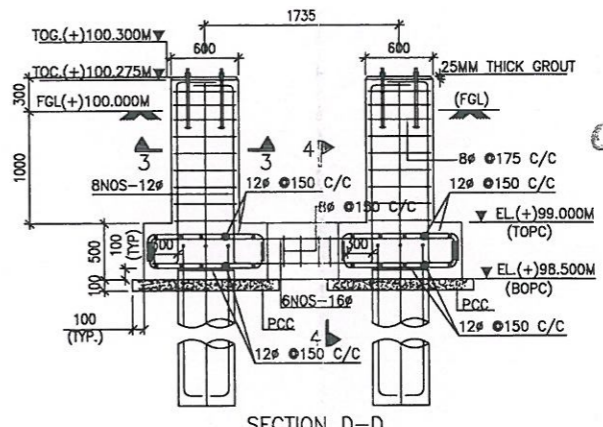
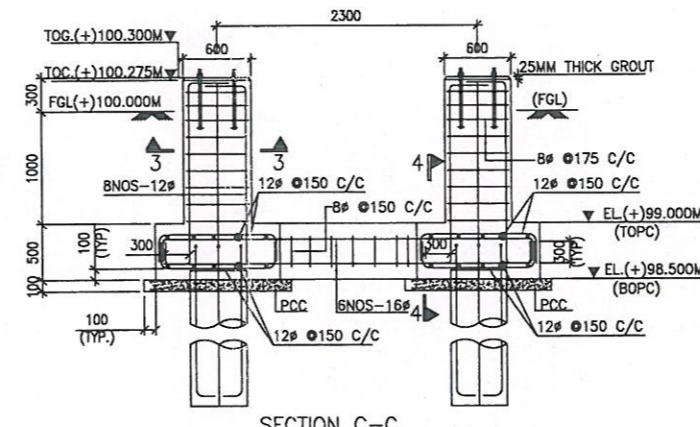
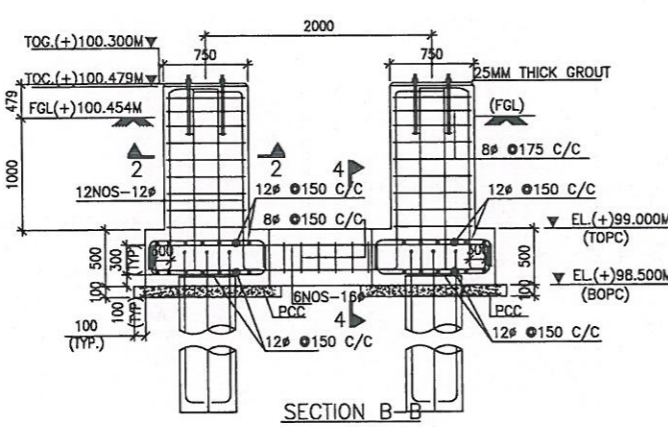
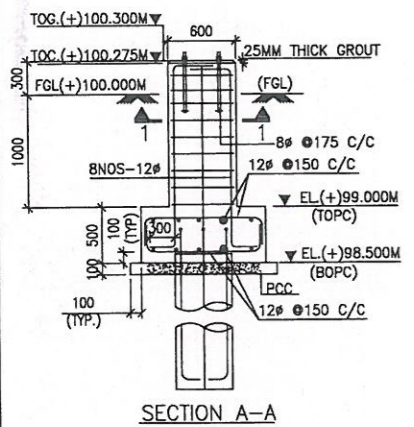


ANCHOR BOLT & PEDESTAL REINFORCEMENT DETAILS:-

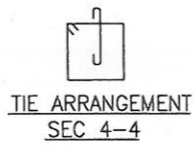
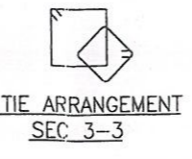
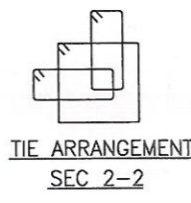
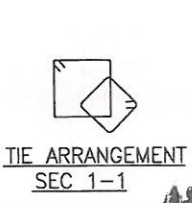
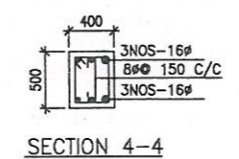
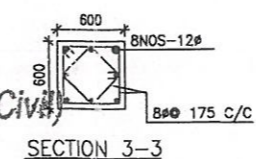
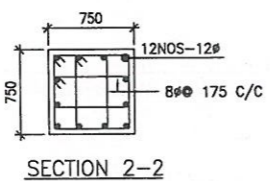
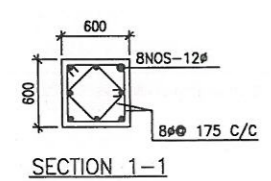
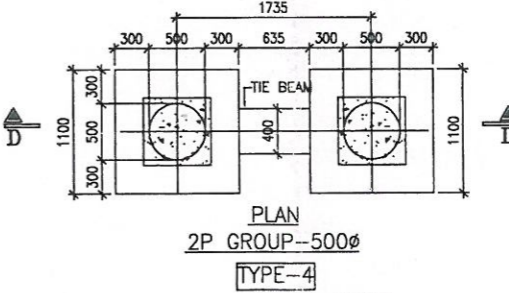
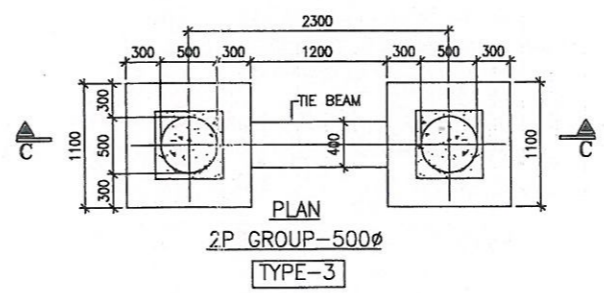
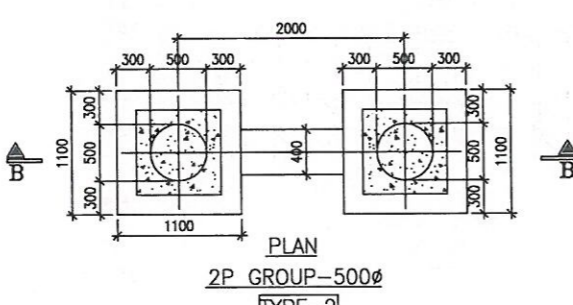
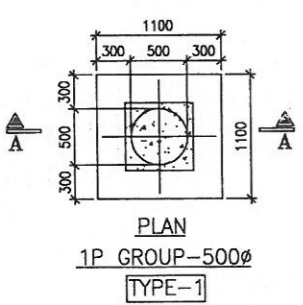
SL.NO	EQUIPMENT MKD.	TYPE	REQ. ANCHOR BOLT	PEDESTAL REINFORCEMENT	ANCHOR BOLT DISTANCE J	K
1.	BPI	TYPE-1	4NOS.-20#	8 NOS-12#	150	150
2.	CT	TYPE-1	4NOS.-20#	8 NOS-12#	150	150
3.	CVT	TYPE-1	4NOS.-20#	8 NOS-12#	150	150
4.	LA	TYPE-1	4NOS.-20#	8 NOS-12#	150	150
5.	CB	TYPE-2	-	12 NOS-12#	-	-

Drawing is approved subject to overall responsibility of the contractor in terms of contract agreement. On turn key for the work.

16.12.15
Chief Engineer (Civil)
BSPTCL



ANCHOR BOLT DETAILS



30/11/15
Superintending Engineer (Civil)
BSPTCL

22/11/15
Executive Engineer (Civil)
B.S.P.T.C.L.

30.11.15
Assistant Engineer (Civil)
BSPTCL

- NOTES:-**
- ALL DIMENSION ARE IN MM. UOS
 - THE CAPACITY OF 500MM Ø PILE OF 6M LENGTH IS 127.53KN.
 - CONCRETE GRADE SHALL BE M20(1:1.5:3) & STEEL GRADE SHALL BE Fe500.
 - PCC GRADE SHALL BE 1:4:8
 - FGL CONSIDERED 100.00 M.
 - CLEAR COVER FOR PILE CAP=100MM, PEDESTAL=40MM & TIE BEAM=25MM
 - DEVELOPMENT LENGTH/LAP LENGTH SHALL BE 50#
 - FOR ANCHOR BOLT DETAILS OF 'CB' REFER VENDOR DRAWING (4) G71AHS-EA403-Z484.
 - THIS DRG. IS NOT APPLICABLE FOR ISOLATOR FOUNDATION.

LEGEND:-

- TOG - TOP OF GROUTING
- TOC - TOP OF CONCRETE
- FGL - FINISHED GROUND LEVEL
- EL - ELEVATION LEVEL
- TOPC - TOP OF PILE CAP
- BOPC - BOTTOM OF PILE CAP
- REIN. - REINFORCEMENT
- MKD. - MARKED
- UOS - UNLESS OTHERWISE SPECIFIED
- TYP. - TYPICAL
- C/C - CENTER TO CENTER

BIHAR STATE POWER TRANSMISSION CO. LTD.	
DRG. TITLE	STANDARD FOUNDATION DETAILS FOR 132KV EQUIPMENTS
DRG. NO.	BSPTCL-SUBS-SWYD-C-STD-DRG-132KV EQPT. FDN.
SCALE	N.T.S SHEET 1 OF 1

PILE NUMBERS PER GROUP