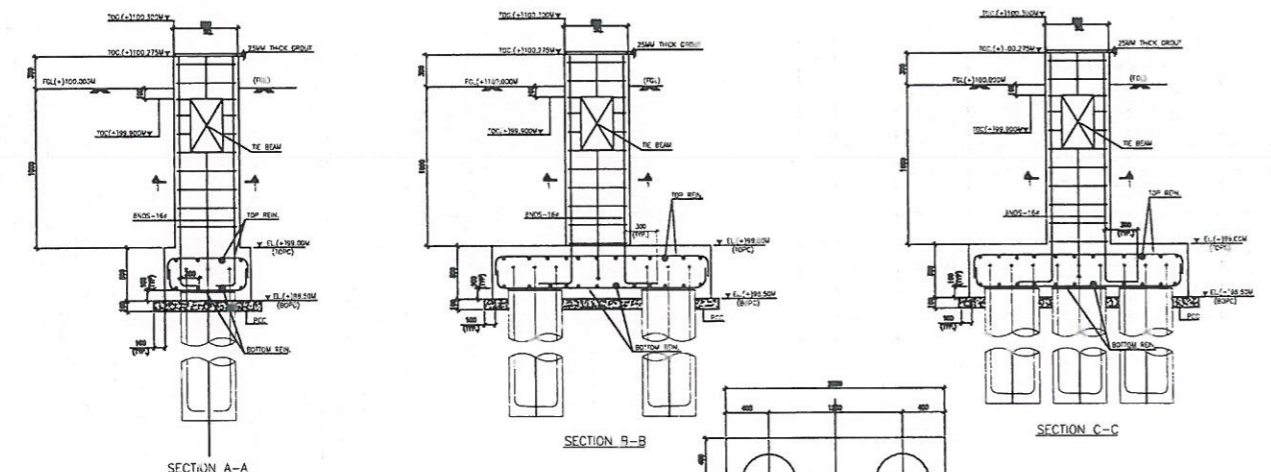


FOUNDATION PLAN

Drawing is approved  
subject to overall  
responsibility of the contractor  
in terms of contract agreement  
on 10/12/15

Chief Engineer (Civil)  
BSPTCL

- NOTES:-
1. ALL DIMENSIONS ARE IN MM. UOS
  2. ALL PILE SHALL BE 500mm Ø OF 10M LENGTH & CAPACITY IS 3400KN
  3. CONCRETE GRADE SHALL BE M20.
  4. P.C.C GRADE SHALL BE 1:4:8
  5. CLEAR COVER:
    - a) PILE CAP - 100mm (TOP, BOTTOM & SIDES)
    - b) COLUMN - 43mm

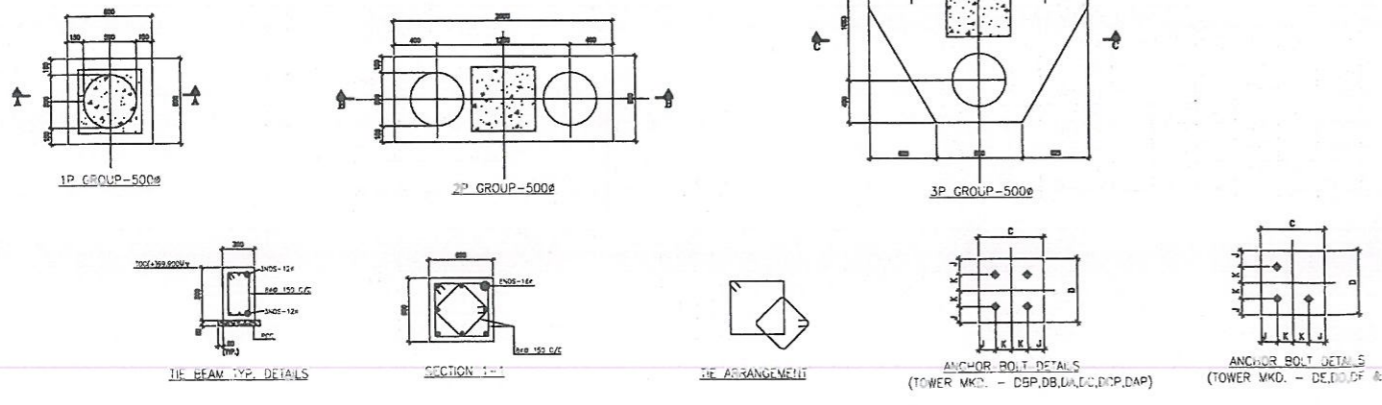
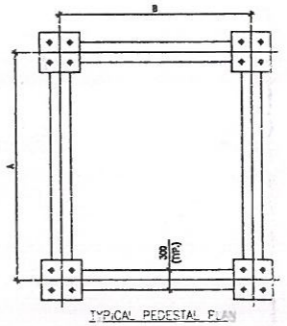


S.NO	TOWER MKD.	TOWER B/B	GRID	PILE CAP DETAILS				REQUIRED NOS. OF PILES	TOTAL NOS. OF PILES	TOTAL PILES
				PILE GROUP	DEPTH OF PILE CAP	BOTTOM REIN.	TOP REIN.			
1.	DE	1.5m x 1.5m	B1, B4, B7, B11, B14, C4, C7, C8, C12, C14, D5, D6, D9 & D10	1	500	12# 175 C/C	12# 175 C/C	4	4	16
2.	DF	2.0m x 1.5m	D7 & D8	1	500	12# 175 C/C	12# 175 C/C	4	4	16
3.	DEx	1.5m x 1.5m	A7, A7 & A14	1	500	12# 175 C/C	12# 175 C/C	4	4	16
4.	DA	2.0m x 2.0m	A4 & A11	1	500	12# 175 C/C	12# 175 C/C	4	4	16
5.	DAP	2.0m x 2.0m	A4 & A11	2	500	10# 150 C/C	10# 150 C/C	4	4	16
6.	DBP	2.0m x 1.5m	A3, A12 & A13	2	500	10# 150 C/C	10# 150 C/C	4	4	16
7.	DB	2.0m x 1.5m	A6, A8, A9 & A10	2	500	10# 150 C/C	10# 150 C/C	4	4	16
TOTAL PILE REQUIRED =								156	156	

- LEGEND:-
- TOG - TOP OF GRouting
  - TOC - TOP OF CONCRETE
  - FGL - FINISHED GROUND LEVEL
  - EL - ELEVATION LEVEL
  - TOPC - TOP OF PILE CAP
  - BOPC - BOTTOM OF PILE CAP
  - REIN. - REINFORCEMENT
  - MKD. - MARKED
  - UOS - UNLESS OTHERWISE SPECIFIED
  - NA - NOT APPLICABLE
  - TYP. - TYPICAL
  - NOS. - NUMBERS
  - C/C - CENTER TO CENTER
  - DWG. NO. - DRAWING NUMBER
  - SP - PILE NUMBERS PER GROUP

ANCHOR BOLT & PEDESTAL DETAILS:-

S.NO	TOWER MKD.	REQ. ANCHOR BOLT	TOWER C/C			PEDESTAL SIZE			ANCHOR BOLT DISTANCE		
			A	B	C	D	E	F	G	H	I
1.	DBP	4NOS-40#	1913.8	1413.8	800	600	200	100	100	100	100
2.	DB	4NOS-40#	1913.8	1413.8	800	600	200	100	100	100	100
3.	DA	4NOS-40#	1926.6	1926.6	800	800	200	100	100	100	100
4.	DAP	4NOS-40#	1926.6	1926.6	800	800	200	100	100	100	100
5.	DE	3NOS-40#	1443.2	1443.2	600	600	200	100	100	100	100
6.	DEx	3NOS-40#	1443.2	1443.2	600	600	200	100	100	100	100
7.	DF	3NOS-40#	1943.2	1443.2	600	600	200	100	100	100	100



Assistant Engineer (Civil)  
BSPTCL

Executive Engineer (Civil)  
BSPTCL

Superintending Engineer (Civil)  
BSPTCL

BIHAR STATE POWER TRANSMISSION CO. LTD.			
DRG. TITLE	STANDARD DRAWING OF 132KV TOWER FOUNDATION LAYOUT & RCC DETAILS		
DRG. NO.	BSPTCL-SUBS-SWYO-C-STD-DRG-132KV, TOWER FDN.		
SCALE	N T S	SHEET	1 OF 1