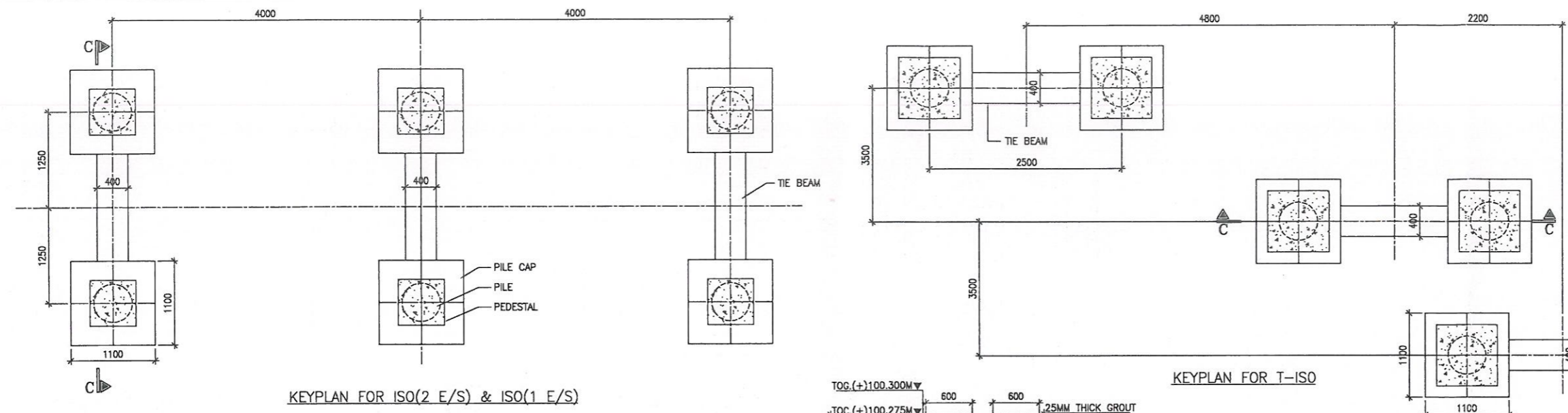


Drawing is approved
subject to overall
responsibility of the contractor
in terms of contract agreement

16.12
Chief Engineer (Civil)
BSPTCL



KEYPLAN FOR T-ISO

KEYPLAN FOR ISO(2 E/S) & ISO(1 E/S)

KEYPLAN FOR CB

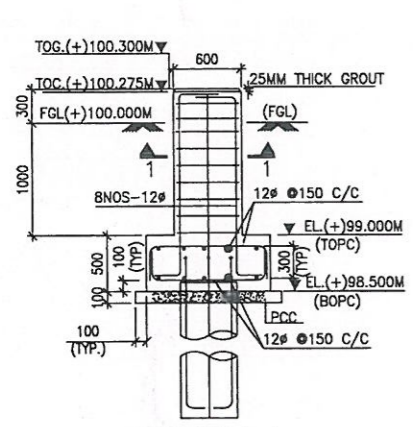
ANCHOR BOLT & PEDESTAL REINFORCEMENT DETAILS:-

SL.NO	TOWER MKD.	TYPE	NO. OF EQUIPMENT	NO. OF PILE/EQUIPMENT	TOTAL NO OF PILE	REQ. ANCHOR BOLT/COL.	PEDESTAL REINFORCEMENT	PILE LENGTH	ANCHOR BOLT DISTANCE	
									J	K
1.	BPI(HL)	TYPE-1	9	1	9	4NOS.-28#	8 NOS.-12#	6000	112.5	187.5
2.	BPI(LL)	TYPE-1	105	1	105	4NOS.-24#	8 NOS.-12#	6000	150	150
3.	CT(HL)	TYPE-1	24	1	24	4NOS.-28#	8 NOS.-12#	6000	125	175
4.	CT(LL)	TYPE-1	6	1	6	4NOS.-24#	8 NOS.-12#	6000	125	175
4.	CVT	TYPE-1	27	1	27	4NOS.-20#	8 NOS.-12#	6000	150	150
5.	LA	TYPE-1	24	1	24	4NOS.-20#	8 NOS.-12#	6000	150	150
6.	CB	TYPE-2	10 SETS	1 SET=3 PILE	30	-	12 NOS.-12#	6000	-	-
7.	ISO(2 E/S)	TYPE-3	11 SETS	1 SET=6 PILE	66	4NOS.-24#	8 NOS.-12#	6000	125	175
8.	ISO(1 E/S)	TYPE-3	12 SETS	1 SET=6 PILE	72	4NOS.-24#	8 NOS.-12#	6000	125	175
9.	T-ISO	TYPE-3	17 SETS	1 SET=6 PILE	102	4NOS.-24#	8 NOS.-12#	6000	125	175
10.	WT	TYPE-4	18	3	54	4NOS.-20#	8 NOS.-12#	6000	150	150
					TOTAL	519				

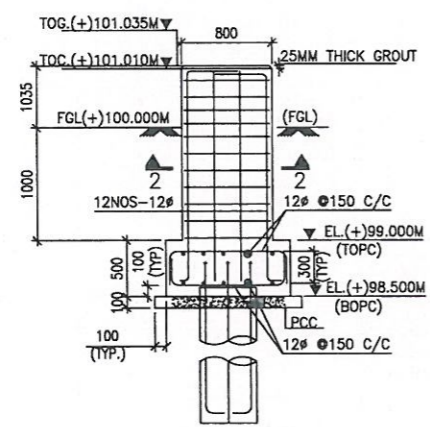
NOTES:-

- ALL DIMENSION ARE IN MM.
- THE CAPACITY OF 500MM Ø PILE OF 6M LENGTH.
- CONCRETE GRADE SHALL BE M20 (1:1.5:3) & STEEL GRADE SHALL BE Fe500.
- PCC GRADE SHALL BE 1:4:8
- LEVEL OF FGL CONSIDERED AS 100.00 M.
- CLEAR COVER FOR PILE CAP=100MM, PEDESTAL=40MM & TIE BEAM=25MM
- DEVELOPMENT LENGTH/LAP LENGTH SHALL BE 50#.
- FOR ANCHOR BOLT DETAILS OF 'CB' REFER VENDOR DRAWING (4) G71AHS-EA403-Z484.

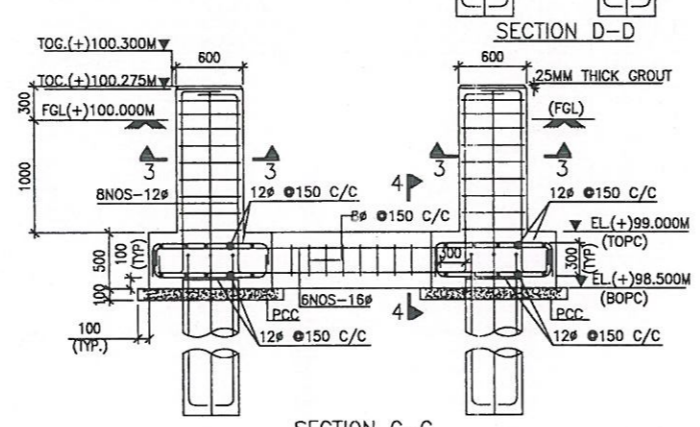
Superintending Engineer (Civil)
BSPTCL



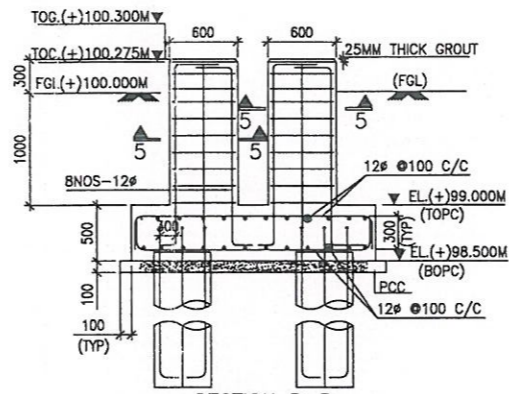
SECTION A-A



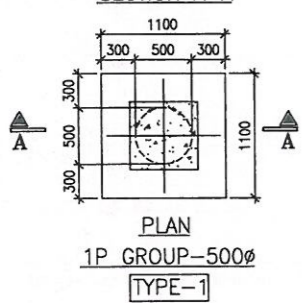
SECTION B-B



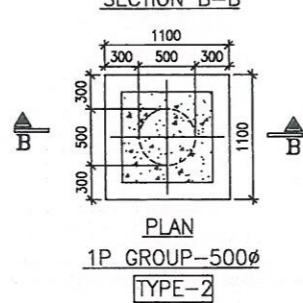
SECTION C-C



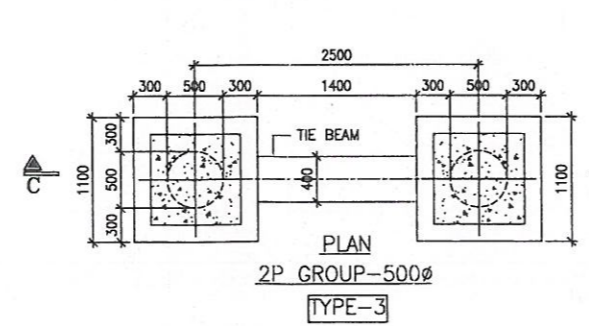
SECTION D-D



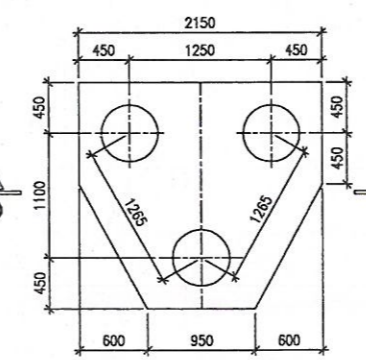
PLAN
1P GROUP-500Ø
TYPE-1



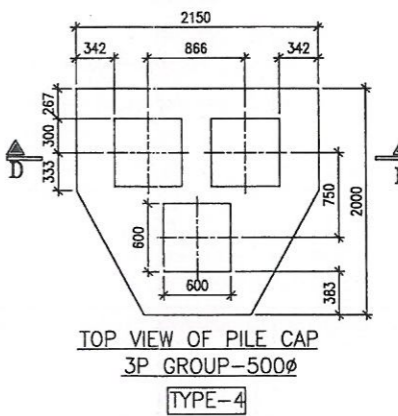
PLAN
1P GROUP-500Ø
TYPE-2



PLAN
2P GROUP-500Ø
TYPE-3

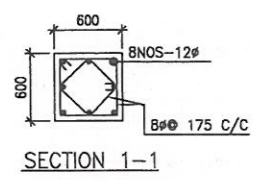


BOTTOM VIEW OF PILE CAP
TYPE-4

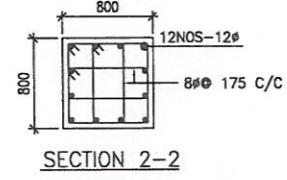


TOP VIEW OF PILE CAP
3P GROUP-500Ø
TYPE-4

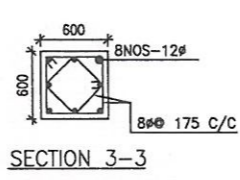
- LEGEND:-
- TOG - TOP OF GROUTING
 - TOC - TOP OF CONCRETE
 - FGL - FINISHED GROUND LEVEL
 - EL - ELEVATION LEVEL
 - TOPC - TOP OF PILE CAP
 - BOPC - BOTTOM OF PILE CAP
 - REIN. - REINFORCEMENT
 - MKD. - MARKED
 - UOS - UNLESS OTHERWISE SPECIFIED
 - TYP. - TYPICAL
 - C/C - CENTER TO CENTER
 - 3P - PILE NUMBERS PER GROUP



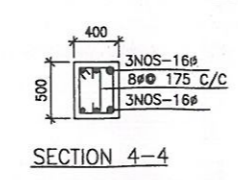
SECTION 1-1



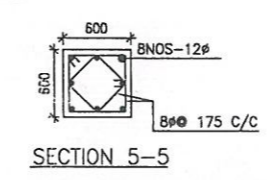
SECTION 2-2



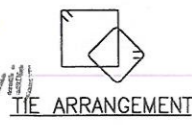
SECTION 3-3



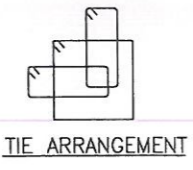
SECTION 4-4



SECTION 5-5



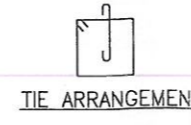
TIE ARRANGEMENT



TIE ARRANGEMENT



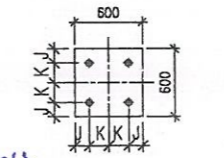
TIE ARRANGEMENT



TIE ARRANGEMENT



TIE ARRANGEMENT



ANCHOR BOLT DETAILS

Assistant Engineer (Civil)
BSPTCL

Executive Engineer (Civil)
BSPTCL

DRG. TITLE	TYPICAL FOUNDATION DETAILS FOR 220KV EQUIPMENTS
DRG. NO.	BSPTCL-SUBS-SWYD-C-STD-DRG-220KV EQPT. FDN.
SCALE	N.T.S
SHEET	1 OF 1