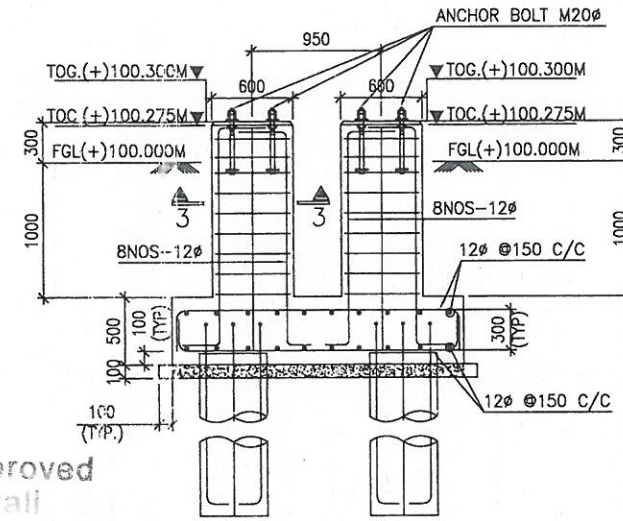
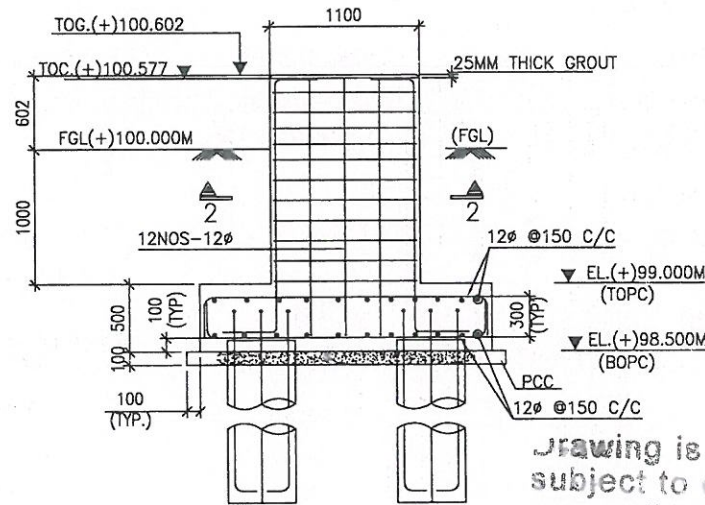
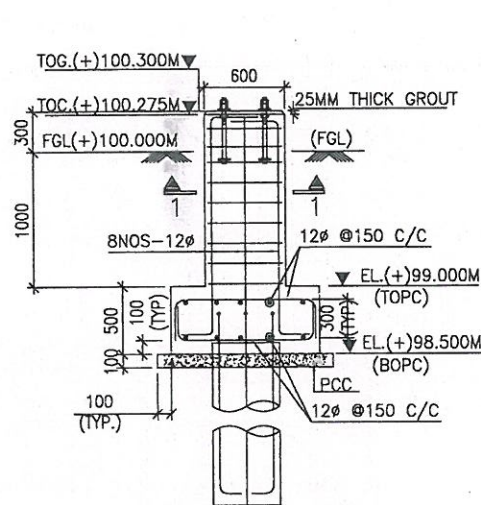
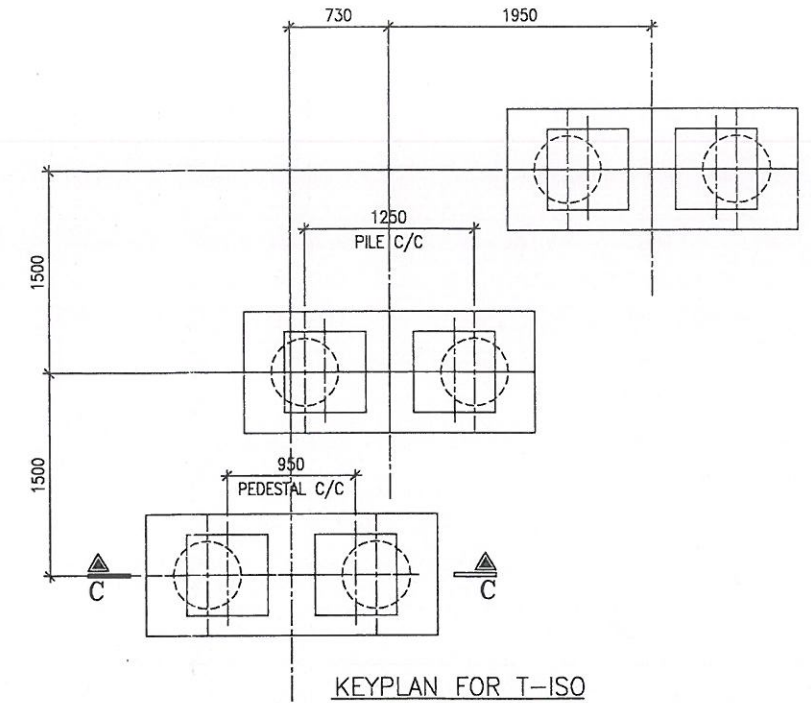
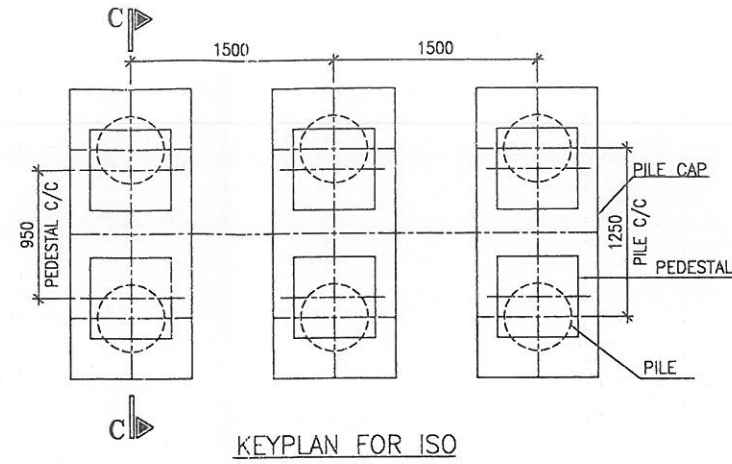
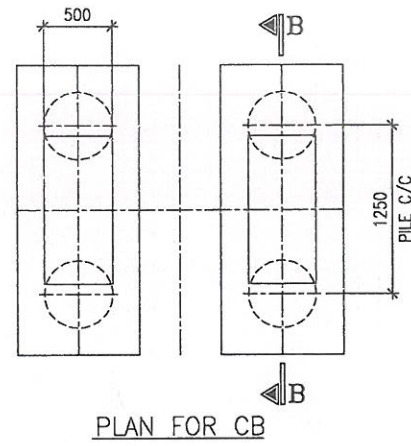
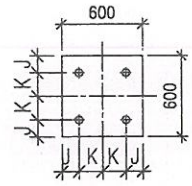


ANCHOR BOLT DETAILS



SECTION A-A

SECTION B-B

SECTION C-C

Drawing is approved subject to overall responsibility of the contractor in terms of contract agreement or turn key for the work.

33KV EQUIPMENT FOUNDATION & ANCHOR BOLT & PEDESTAL REINFORCEMENT DETAILS:-

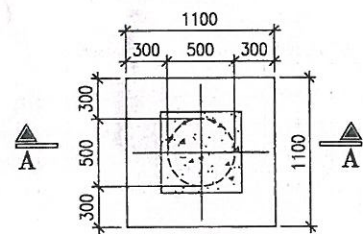
SL.NO	EQUIPMENT MKD.	TYPE	NO OF EQUIPMENT	NO. PILE/ EQUIPMENT	TOTAL NO. OF PILES	REQ. ANCHOR BOLT	PEDESTAL REINFORCEMENT	ANCHOR BOLT DISTANCE	
								J	K
1.	BPI	TYPE-1	74	1	74	4NOS.-20φ	8 NOS-12φ	175	125
2.	LA	TYPE-1	36	1	36	4NOS.-20φ	8 NOS-12φ	175	125
3.	CT	TYPE-1	45	1	45	4NOS.-20φ	8 NOS-12φ	175	125
4.	PT	TYPE-1	3	1	3	4NOS.-20φ	8 NOS-12φ	175	125
5.	HG FUSE	TYPE-1	6 SETS	1SET=3 PILE	18	4NOS.-20φ	8 NOS-12φ	175	125
6.	ISO	TYPE-3	29 SETS	1SET=6 PILE	174	4NOS.-20φ	8 NOS-12φ	175	125
7.	T-ISO	TYPE-3	12 SETS	1SET=6 PILE	72	4NOS.-20φ	8 NOS-12φ	175	125
8.	CB	TYPE-2	13 SETS	1SET=2 PILE	26	-	12 NOS-12φ	-	-

NOTES:-

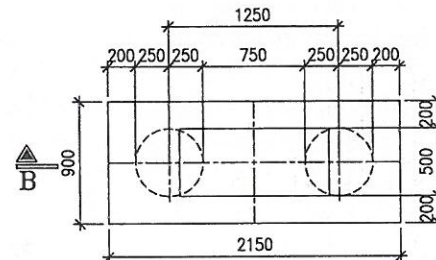
- ALL DIMENSION ARE IN MM. UOS
- THE CAPACITY OF 500MM φ PILE OF 6M LENGTH IS 150.0KN.
- CONCRETE GRADE SHALL BE M20(1:1.5:3) & STEEL GRADE SHALL BE Fe500.
- PCC GRADE SHALL BE 1:4:8
- LEVEL OF FGL CONSIDERED AS 100.00 M.
- CLEAR COVER FOR PILE CAP=100MM, PEDESTAL=40MM & TIE BEAM=25MM
- DEVELOPMENT LENGTH/LAP LENGTH SHALL BE 50φ.
- FOR ANCHOR BOLT DETAILS OF 'CB' REFER VENDOR DRAWING.

LEGEND:-

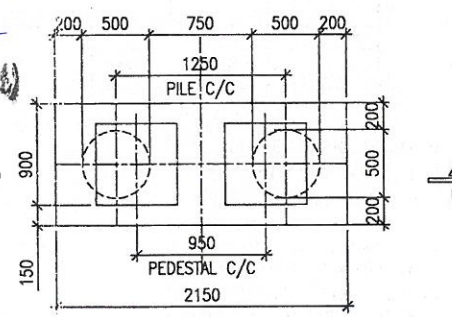
- TOG - TOP OF GROUTING
- TOC - TOP OF CONCRETE
- FGL - FINISHED GROUND LEVEL
- EL - ELEVATION LEVEL
- TOPC. - TOP OF PILE CAP
- BOPC. - BOTTOM OF PILE CAP
- REIN. - REINFORCEMENT
- MKD. - MARKED
- UOS - UNLESS OTHERWISE SPECIFIED
- TYP. - TYPICAL
- C/C - CENTER TO CENTER



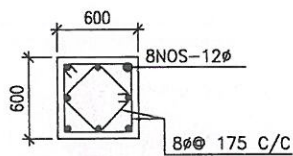
PLAN 1P GROUP-500φ TYPE-1



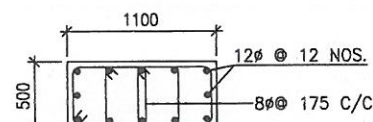
PLAN 1P GROUP-500φ TYPE-2



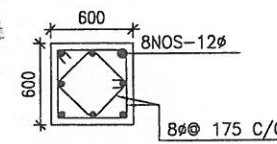
PLAN 1P GROUP-500φ TYPE-3



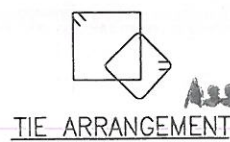
SECTION 1-1



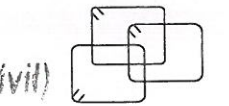
SECTION 2-2



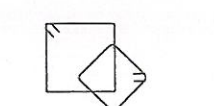
SECTION 3-3



TIE ARRANGEMENT



TIE ARRANGEMENT



TIE ARRANGEMENT

Assistant Engineer (Civil) BSPTCL 30.11.15

Executive Engineer (Civil) BSPTCL 30/11/2015

Chief Engineer (Civil) BSPTCL 15-12-15

		BIHAR STATE POWER TRANSMISSION CO. LTD.	
DRG. TITLE	STANDARD FOUNDATION DETAILS FOR 33KV EQUIPMENTS		
DRG. NO.	BSPTCL-SUBS-SWYD-C-STD-DRG-33KV EQPT. FDN.		
SCALE	N.T.S	SHEET	1 OF 1