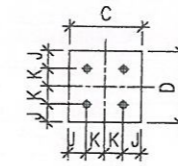
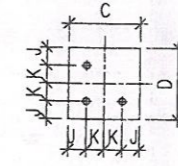


33KV TOWER PILE FDN. SCHEDULE:-

SL. NO.	TOWER MKD.	TOWER B/B	TOWER C/C		PEDESTAL SIZE		ANCHOR BOLT DISTANCE		REQ. ANCHOR BOLT	PILE CAP DETAILS						
			A	B	C	D	J	K		PILE GROUP	DEPTH OF PILE CAP	BOTTOM REIN.	TOP REIN.	REQUIRED NOS. OF PILE PER TOWER	TOTAL NOS. OF TOWER	TOTAL PILES
1.	KD	1.5mX1.5m	1442	1442	500	500	150	100	4NOS.-40#	7	500	12# 175 C/C	12# 175 C/C	7	6	42
2.	KB	1.0mX1.5m	944	1444	500	500	150	100	4NOS.-40#	7	500	12# 175 C/C	12# 175 C/C	7	6	42
3.	KF	1.0mX1.5m	950	1450	500	500	150	100	3NOS.-28#	7	500	12# 175 C/C	12# 175 C/C	7	1	7
4.	KAP	1.5mX1.5m	1450	1450	500	500	150	100	3NOS.-28#	1	500	12# 175 C/C	12# 175 C/C	4	1	4
5.	KA	1.5mX1.5m	1450	1450	500	500	150	100	3NOS.-28#	1	500	12# 175 C/C	12# 175 C/C	4	1	4
6.	KC	1.5mX1.0m	964	964	500	500	150	100	3NOS.-28#	7	500	12# 175 C/C	12# 175 C/C	7	13	91
7.	KCx	1.0mX1.0m	964	964	500	500	150	100	3NOS.-28#	7	500	12# 175 C/C	12# 175 C/C	7	2	14
8.	KD	1.0mX1.0m	964	964	500	500	150	100	3NOS.-28#	1	500	12# 175 C/C	12# 175 C/C	4	7	28
9.	KF1	1.0mX1.5m	950	1450	500	500	150	100	3NOS.-28#	7	500	12# 175 C/C	12# 175 C/C	7	11	77
TOTAL PILE REQUIRED =										323						



ANCHOR BOLT DETAILS
(TOWER MKD. - KB & KB)



ANCHOR BOLT DETAILS
(TOWER MKD. - KF, KAP, KAK, KCK, KDK & KF1)

NOTES:-

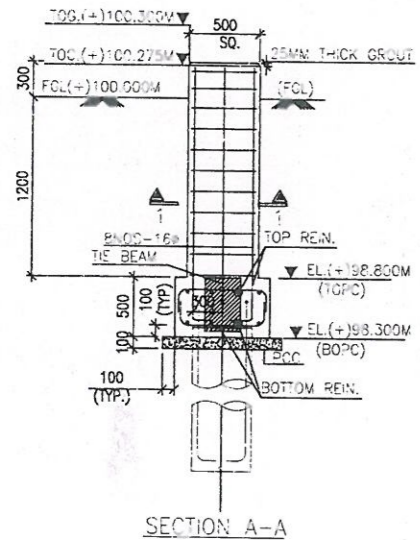
- ALL DIMENSIONS ARE IN MM & LEVELS IN M.
- ALL PILE SHALL BE 400mm Ø OF 10M LENGTH & CAPACITY IS 240KN
- ALL CONCRETE & STEEL GRADE SHALL BE M20 & Fe500
- PCC GRADE SHALL BE 1:4:8
- CLEAR COVER:
 - a) PILE CAP - 100mm (TOP, BOTTOM & SIDES)
 - b) COLUMN - 40mm c) TIE BEAM - 30mm (TOP & BOTTOM) TIE BEAM - 25mm (SIDE)
- DEVELOPMENT LENGTH SHOULD BE 50 X DIA OF BAR.
- FOR PILE DETAILS - REFER DRAWING - TYPICAL DETAILS OF PILE.

Drawing is approved
subject to overall
responsibility of the contractor
in terms of contract agreement
on turn key for the work.

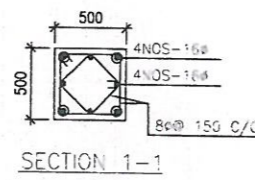
16.12.15
Chief Engineer (Civil)
BSPTCL

LEGEND:-

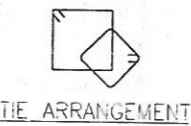
- TOG - TOP OF GROUTING
- TOC - TOP OF CONCRETE
- FGL - FINISHED GROUND LEVEL
- EL. - ELEVATION LEVEL
- TOPC. - TOP OF PILE CAP
- BOPC. - BOTTOM OF PILE CAP
- REIN. - REINFORCEMENT
- MKD. - MARKED
- UCS - UNLESS OTHERWISE SPECIFIED
- NA - NOT APPLICABLE
- TYP. - TYPICAL
- NOS. - NUMBERS
- C/C - CENTER TO CENTER
- DWG. NO. - DRAWING NUMBER
- 2F - PILE NUMBERS PER GROUP



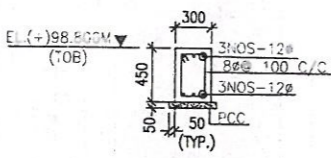
SECTION A-A



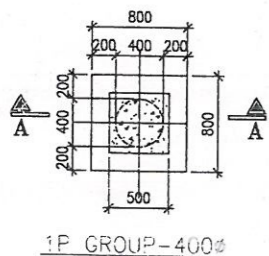
SECTION 1-1



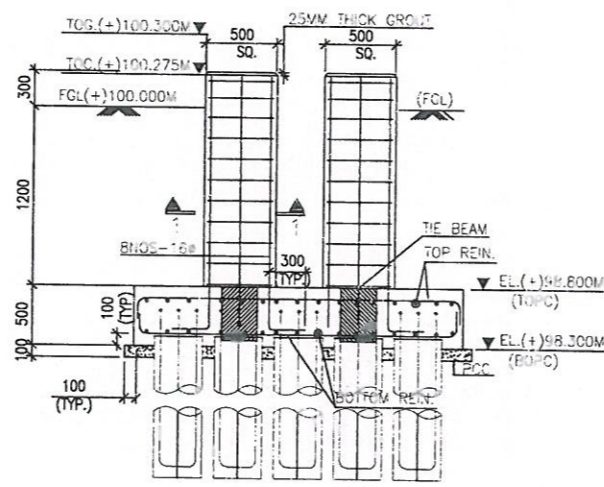
TIE ARRANGEMENT



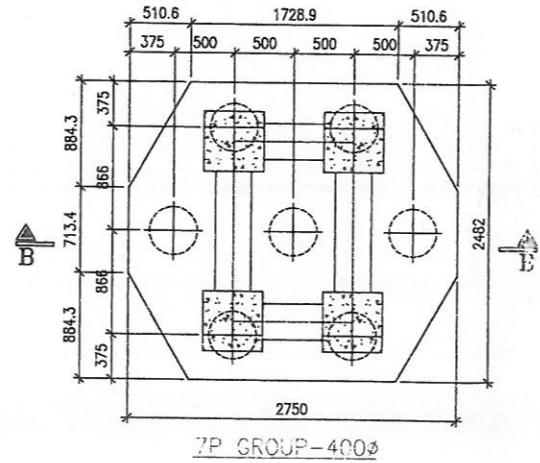
TIE BEAM TYP. DETAILS



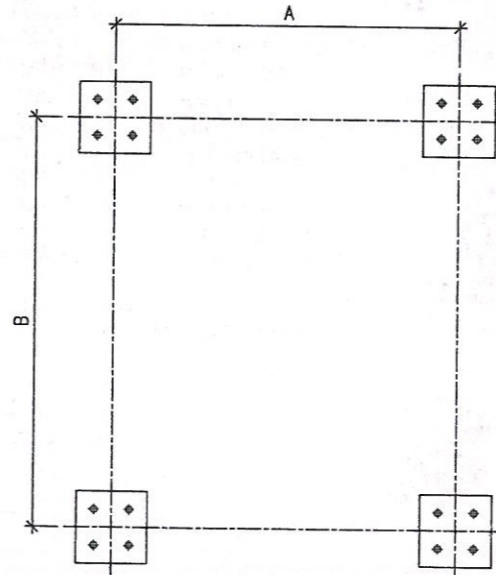
1P GROUP-400#



SECTION B-B



7P GROUP-400#



TYPICAL PEDESTAL PLAN

30.11.15
Assistant Engineer (Civil)
BSPTCL

30/11/2015
Executive Engineer (Civil)
B.S.P.T.C.L.

30/11/15
Superintending Engineer (Civil)
BSPTCL

BIHAR STATE POWER TRANSMISSION CO. LTD.	
DRG. TITLE	TYPICAL 33KV TOWER FOUNDATION DETAILS
DRG. NO.	BSPTCL-SUBS-SWYD-C-STD-DRG-33KV TOWER FDN.
SCALE	N.T.S SHEET 1 OF 1