

DOOR, WINDOW, RS & VENTILLATOR DETAILS FOR STORE SHED, DORMITORY & SECURITY GUMTY-SNGR

1 MS ITEMS

SL.NO.	MARKED	OPEN SIZE		SILL LEVEL	LINTEL LEVEL	LOCATION	TOTAL QTY FOR SINGLE STR.	TOTAL QTY FOR TWO NO. OF STRS.	DESCRIPTION
		WIDTH	HEIGHT	(FROM FL)	(FROM FL)				
1	D1	1000	2100	0.0	2.1	STORE SHED	1	2	18 GAUGE SINGLE SHEET MS DOOR
2	W	1000	1200	0.9	2.1	SECURITY GUMTY	3	6	18x5 THK GRILLED MS WINDOW
3	W1	1000	1200	0.9	2.1	STORE SHED, DORMITORY	10	20	
4	W2	750	1200	0.9	2.1	DORMITORY	3	6	
5	RS	2700	3000	0.0	3.0	STORE SHED	1	2	STANDARD MS ROLLING SHUTTER
6	V1	750	600	1.5	2.1	DORMITORY	2	4	MS GLAZED TOP HUNG VENTILLATOR

2 WOODEN ITEMS

SL.NO.	MARKED	OPEN SIZE		SILL LEVEL	LINTEL LEVEL	LOCATION	TOTAL QTY FOR SINGLE STR.	TOTAL QTY FOR TWO NO. OF STRS.	DESCRIPTION
		WIDTH	HEIGHT	(FROM FL)	(FROM FL)				
1	D	900	2100	0.0	2.1	SECURITY GUMTY	1	2	32MM SOLID CORE FLUSH DOOR WITH TEAK WOOD DOOR FRAME
2	D1	1000	2100	0.0	2.1	DORMITORY	1	2	
3	D2	900	2100	0.0	2.1	DORMITORY	1	2	
4	D3	750	2100	0.0	2.1	DORMITORY	2	4	

Drawing is approved
subject to overall
responsibility of the contractor
in terms of contract agreement
Ch. Turn Key for the work

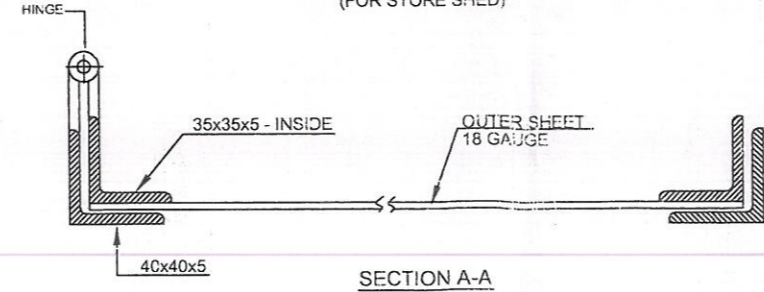
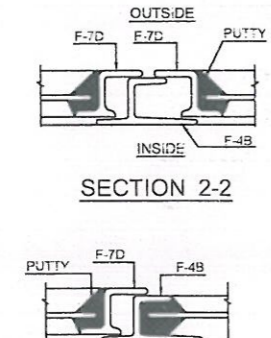
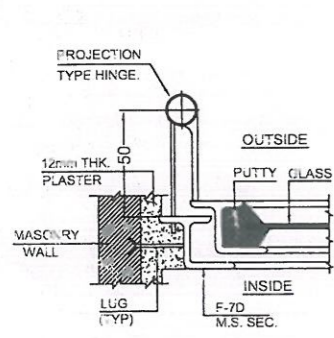
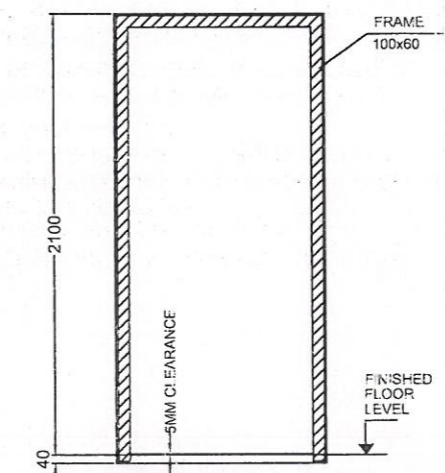
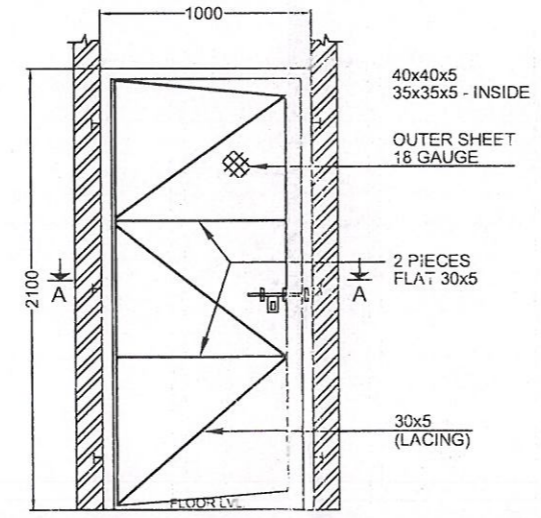
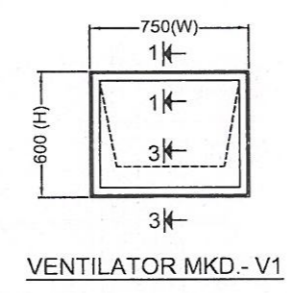
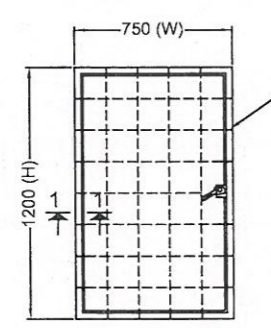
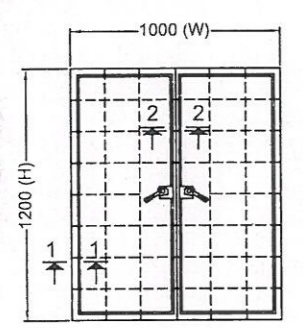
[Signature]
16.12
Chief Engineer (Civil)
BSPTCL

NOTES:

- ALL DIMENSIONS ARE IN MM.
- FOR LOCATION OF DOOR, REFER GA DRG. OF STORE SHED, DORMITORY & SECURITY GUMTY.
- GLAZING TO BE 5MM THK. ALL OTHER MATERIALS AS PER APPROVAL OF ENGINEER-IN-CHARGE.
- ALL DETAILS OF WOODEN DOOR SHOULD BE AS PER TECHNICAL SPEC. & RELIVANT DSR CLAUSE.
- FOR WOODEN DOOR:
 - SHUTTER IS MADE OF 32MM SOLID CORE FLUSH DOOR
 - FRAME SHALL BE OF TEAK WOOD (CLASS-II) OF SECTION 100x60 MM.
 - LEAPING SHALL BE PROVIDED.
 - ALL ACCESSORIES SHALL BE OF CHROMIM PLATED.

[Signature]
30/11/18
Superintending Engineer (Civil)
BSPTCL

[Signature]
30/11/2015
Executive Engineer (Civil)
B.S.P.T.C.L.



[Signature]
30.11.15
Assistant Engineer (Civil)
BSPTCL

	BIHAR STATE POWER TRANSMISSION CO. LTD.		
	STANDARD DETAILS OF DOOR, WINDOW, VENTILATOR & ROLLING SHUTTER FOR SECURITY ROOM, DORMITORY & STORE SHED		
DRG. TITLE	BSPTCL-SUBS-SWYD-C-STD-DRG-DOOR & WINDOW		
DRG. NO.	BSPTCL-SUBS-SWYD-C-STD-DRG-DOOR & WINDOW		
SCALE	N.T.S	SHEET	1 OF 1