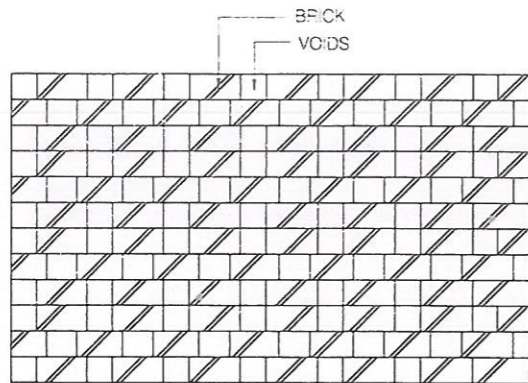
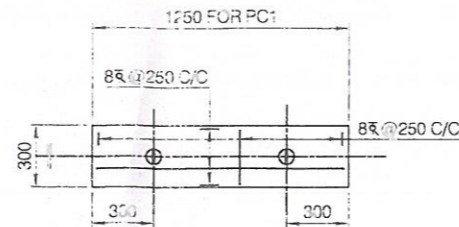


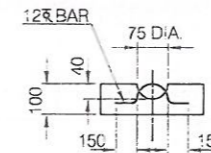
**DETAIL-A**  
SCALE 1:10



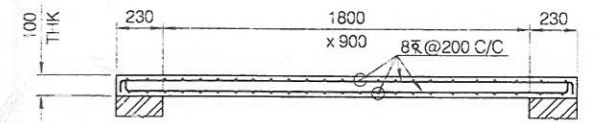
**DETAILS OF HONEYCOMB WALL**



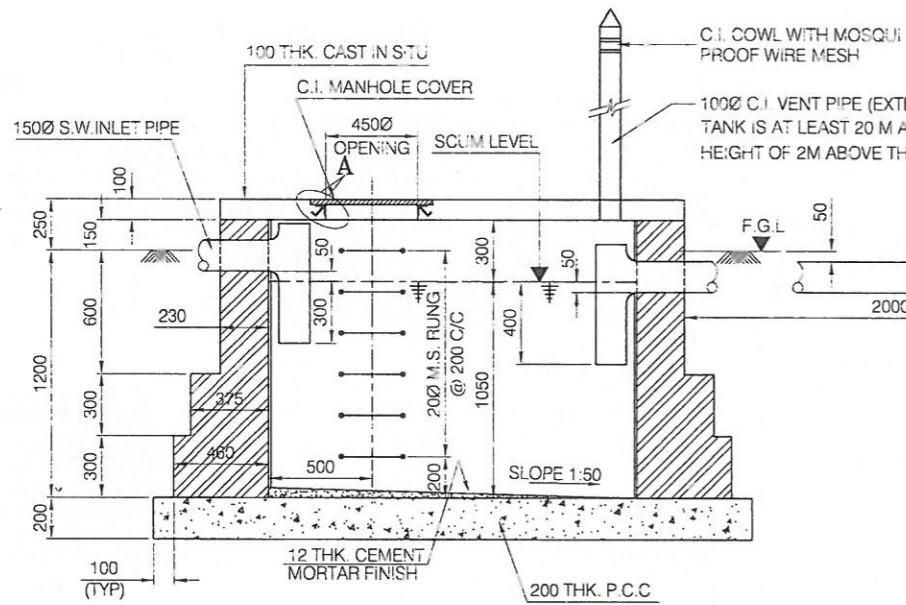
**TYPICAL R.C. DETAIL OF PRECAST COVER MKD.PC1**  
SCALE 1:25



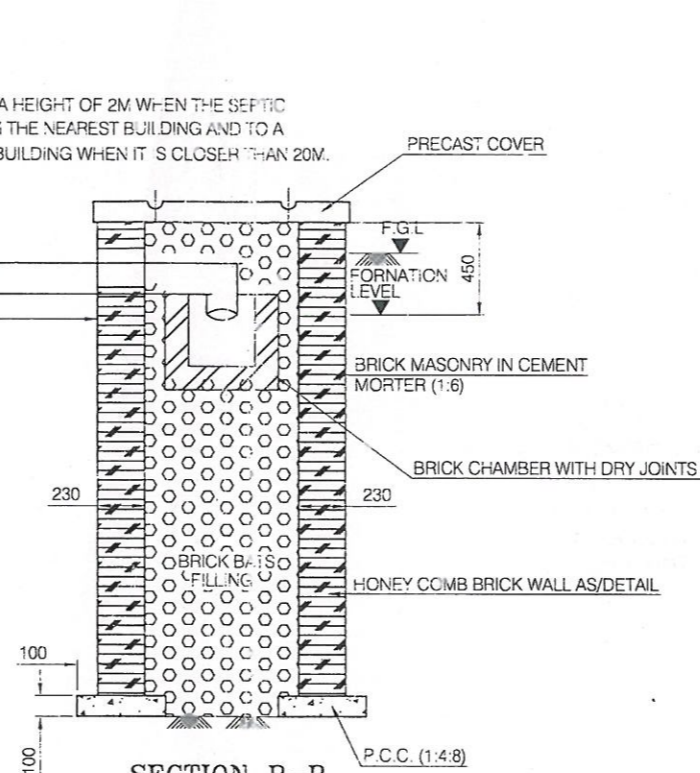
**DETAIL OF LIFTING HOOK**



**R.C. DETAIL OF CAST IN SITU SLAB**  
SCALE 1:25



**SECTION A-A**  
SCALE 1:25



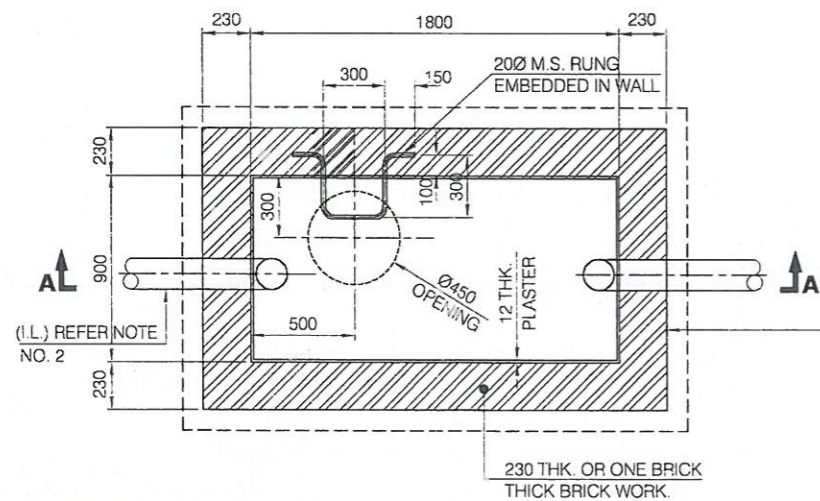
**SECTION B-B**  
SCALE 1:25

Drawing is approved  
subject to overall  
responsibility of the contractor  
in terms of contract agreement  
or turn key

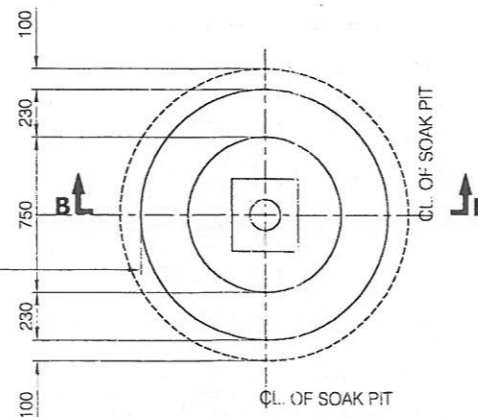
16.12.15  
Chief Engineer (Civil)  
BSPTCL

**NOTES :-**

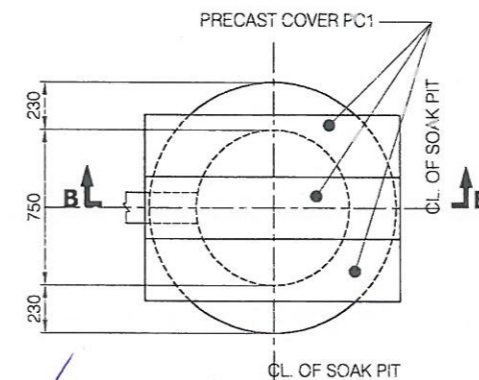
1. ALL DIMENSIONS ARE IN MM & LEVELS ARE IN METER
2. INVERT LEVEL SHALL BE AS PER SLOPE 1:100 FOR INLET PIPE.
3. CONCRETE GRADE SHALL BE M20 (1:1.5:3) UNLESS OTHERWISE NOTED.
4. ALL REINFORCEMENT SHALL BE OF HYSD TMT OF GRADE Fe415 UNLESS NOTED OTHERWISE.



**PLAN FOR SEPTIC TANK**  
SCALE 1:25



**PLAN OF SOAK PIT**  
SCALE 1:25



**TOP PLAN OF SOAK PIT**  
SCALE 1:25

Assistant Engineer (Civil)  
BSPTCL

Executive Engineer (Civil)  
B.S.P.T.C.L.

Superintending Engineer (Civil)  
BSPTCL

		BIHAR STATE POWER TRANSMISSION CO. LTD.	
		DRG. TITLE: STD. DETAIL OF SEPTIC TANK & SOAK PIT FOR DORMITORY DRG. NO.: BSPTCL-SUBS-SWYD-C-STD-DRG-DORMITORY-SEPTIC TANK	
SCALE	1:100	SHEET	1 OF 1