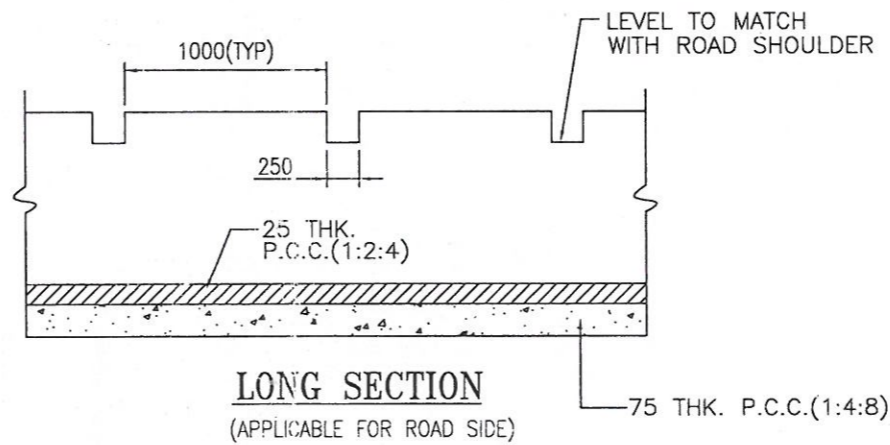
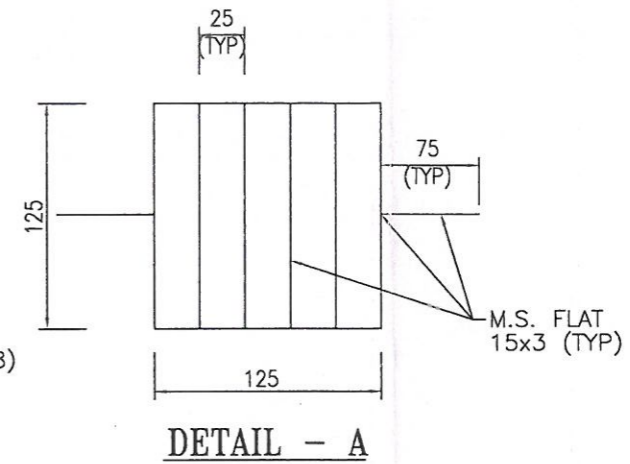
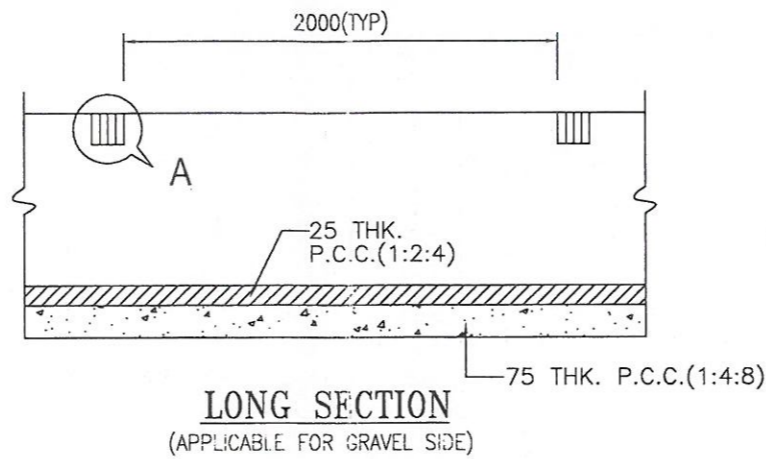


TYP. DETAIL OF DRAIN
WITHOUT PROJECTION



NOTES:

1. ALL DIMENSIONS OF LAYOUT PLAN ARE IN M & SECTIONAL DETAILS ARE IN MM.U.O.S.
2. ALL DRAINS SHALL BE GIVEN A MINIMUM SLOPE OF 1:1000 IN THE LONGITUDINAL DIRECTION.
3. MINIMUM DEPTH OF DRAIN SHALL BE 300MM BELOW FGL.
4. WHERE EVER TWO SECTIONS ARE MEETING A TRANSITION ZONE SHALL BE CONSTRUCTED HAVING LENGTH 1000MM.
5. 75x75xMM WEEP HOLE SHALL BE PROVIDED AT SPACING OF 1500MM HORIZONTALLY & 300MM VERTICALLY IN STAGGERED MANER.
6. DEPTH OF DRAIN IS TAKEN AS HEIGHT FROM TOP OF DRAIN TO IN VERT OF DRAIN.


Drawing is approved
subject to overall
responsibility of the contractor
in terms of contract agreement
on turn ke

[Signature]
12/15
Chief Engineer (Civil)
BSPTCL

[Signature]
30/11/15
Superintending Engineer (Civil)
BSPTCL

[Signature]
30.11.15
Assistant Engineer (Civil)
BSPTCL

[Signature]
30/11/2015
Executive Engineer (Civil)
B.S.P.T.C.L.

	BIHAR STATE POWER TRANSMISSION CO. LTD.		
DRG. TITLE	LAYOUT & TYPICAL DETAIL OF DRAIN		
DRG. NO.	BSPTCL-SUBS-SWYD-C-STD-DRG-DRAIN		
SCALE	N.T.S	SHEET	1 OF 1