

THIS DRAWING IS APPROVED
 SUBJECT TO OVERALL
 RESPONSIBILITY OF THE CONTRACTOR
 IN TERMS OF CONTRACT AGREEMENT
 ON TURN KEY FOR THE WORK.

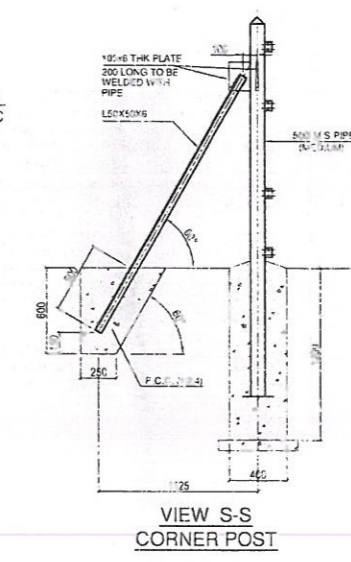
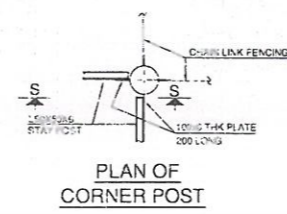
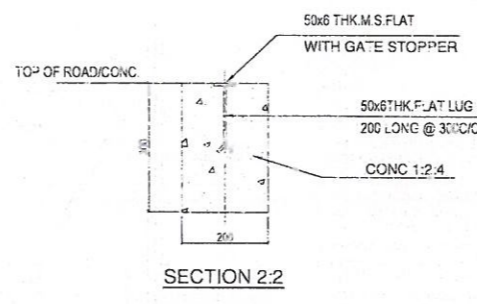
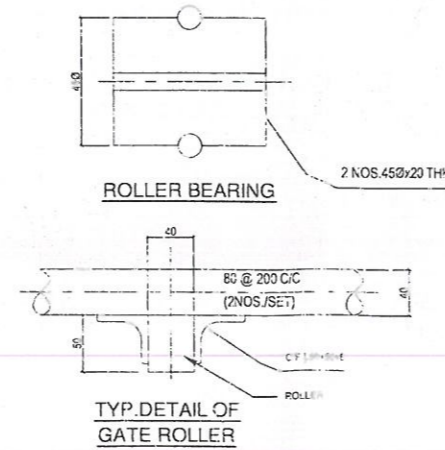
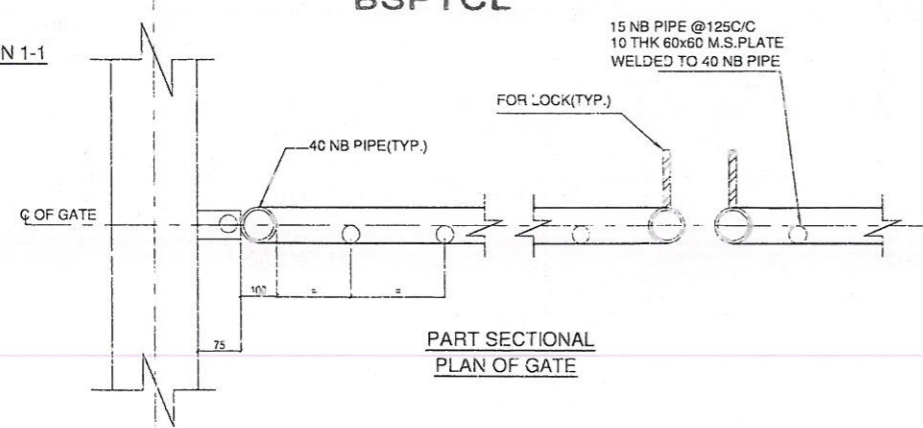
Al 30/11/15
 Superintending Engineer (Civil)
 BSPTCL

30/11/15
 Chief Engineer (Civil)
 BSPTCL

30.11.15
 Assistant Engineer (Civil)
 BSPTCL

30/11/15
 Executive Engineer (Civil)
 B.S.P.T.C.L.

SECTION 1-1



- NOTE:
1. ALL DIMENSIONS ARE IN MM & ELEVATION ARE IN METER UNLESS NOTED OTHERWISE
 2. ALL LEAN CONC. SHALL BE PCC (1:4) UNLESS NOTED OTHERWISE
 3. ALL STRUCTURAL STEEL CONFORM TO IS 2062 & SHALL PAINTED WITH A COAT OF APPROVED STEEL PRIMER & TWO COATS OF SYNTHETIC ENAMEL PAINT UNLESS NOTED OTHERWISE.
 4. DROP BOLTS SHOULD BE PROVIDED ON THE FAR SIDE ONLY.
 5. ALL WELDS ARE 6MM THK. FILLET WELDS UNLESS NOTED OTHERWISE.
 6. GATE & M.S. HOOKS TO BE PAINTED WITH ONE COAT APPROVED STEEL PRIMER BEFORE ERECTION & TWO COAT OF SYNTHETIC PAINTS AFTER ERECTION.
 7. STRUCTURAL PIPES SHALL BE MEDIUM TYPE CONFORMING TO IS 1161/806
 8. CHAIN LINK FENCING SHALL HAVE 3.15 mm DIAMETER WIRE AS PER IS 2721 WITH 75x75 mm MESH SIZE AND PAINTED.
 9. TUBULAR POST SHALL BE PLACED @ 3.0m CENTRE TO CENTRE AND SHALL BE SET IN WELL COMPACTED EARTH
 10. CORNER TUBULAR POST SHALL BE PROVIDED CLEATS IN FOUR SIDES SLITTING TO REQUIREMENT
 11. TUBES/PIPES OF POST SHALL BE GALVANIZED
 12. EXPOSED SURFACE OF CONCRETE PAD (P.C.C.) SHALL BE PLASTERED WITH 12mm THICK CEMENT PLASTER (1:6)

BIHAR STATE POWER TRANSMISSION CO. LTD.	
DRG. TITLE	STANDARD DETAILS OF SWITCHYARD FENCE & GATE
DRG. NO.	BSPTCL-SUBS-SWYD-C-STD-DRG-FENCE & GATE
SCALE	1:750 SHEET 1 OF 1