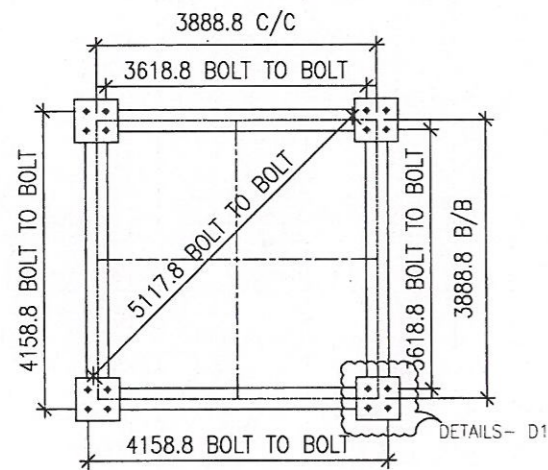
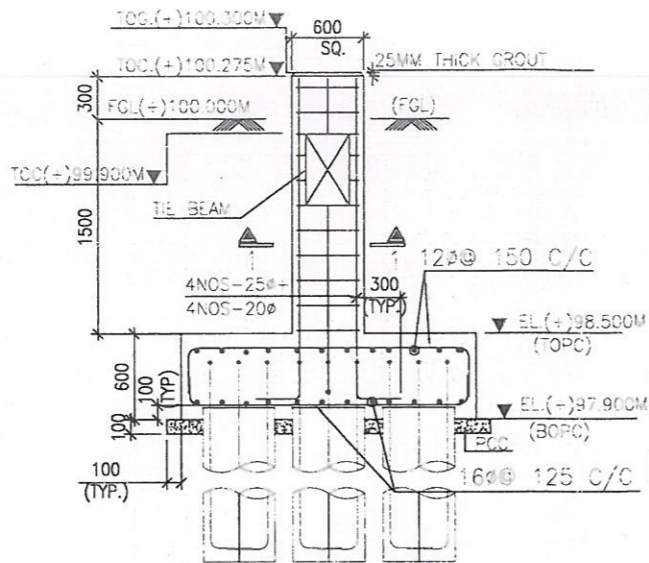


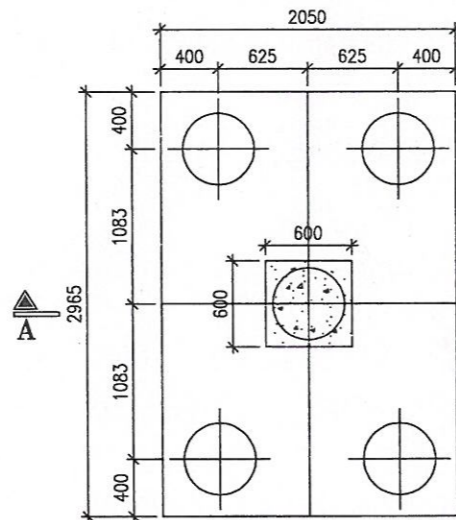
LM-PILE LAYOUT



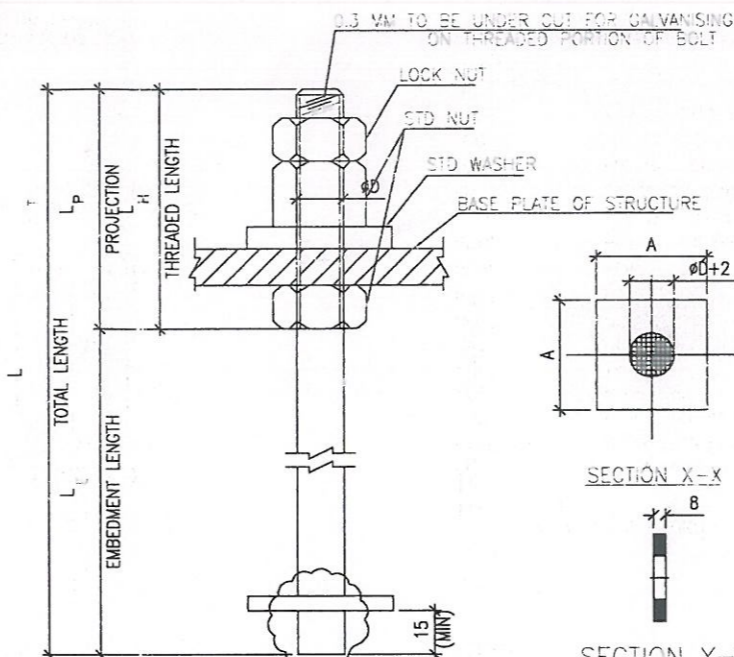
PEDESTAL PLAN



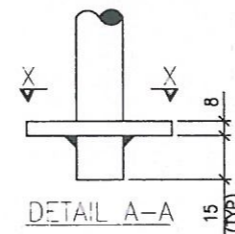
SECTION A-A



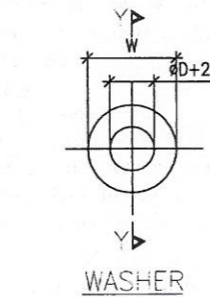
5P GROUP-500#



FOUNDATION BOLT



DETAIL A-A



WASHER

LEGEND:-

- TOG - TOP OF GROUTING
 - TOC - TOP OF CONCRETE
 - FGL - FINISHED GROUND LEVEL
 - EL - ELEVATION LEVEL
 - TOPC - TOP OF PILE CAP
 - BOPC - BOTTOM OF PILE CAP
 - REIN - REINFORCEMENT
 - MKD - MARKED
 - UNOS - UNLESS OTHERWISE SPECIFIED
 - NA - NOT APPLICABLE
 - TYP. - TYPICAL
 - NOS. - NUMBERS
 - C/C - CENTER TO CENTER
 - DWG. NO. - DRAWING NUMBER
- 5P - PILE NUMBERS PER GROUP

NOTES:-

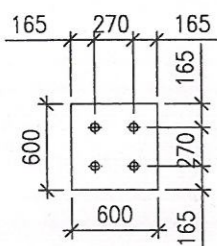
1. ALL DIMENSION ARE IN MM. UNOS
2. THE CAPACITY OF 500MM Ø PILE OF 10M LENGTH IS 330KN.
3. CLEAR COVER
 - c) PILE CAP-100MM
 - d) BEAM -25MM
4. CONCRETE & STEEL GRADE SHALL BE M20 & FE500
5. PCC GRADE SHALL BE 1:4:8
6. ALL BOLTS SHALL BE OF CLASS 5.6 AND SHALL CONFORM TO IS:6639.
7. PLAIN WASHER SHALL CONFORM TO IS:2016.
8. ALL FOUNDATION BOLTS SHALL CONFORM TO IS:12427 OR IS 6639-1972 AND SHALL BE GALVANIZED AS PER IS:1367 (PART-13)-1983.
9. ALL FOUNDATION BOLTS SHALL CONFORM TO IS:12427 OR IS 6639-1972 AND SHALL BE GALVANIZED AS PER IS:1367 (PART-13)-1983.
10. ALL WELDS SHALL BE 6MM FILLET WELD.
11. NUTS SHALL CONFORM TO IS:1363 AND MECHANICAL PROPERTIES SHALL CONFORM TO PROPERTY CLASS 4 OR 5 OF IS:1367.

Drawing is approved
subject to overall
responsibility of the contractor
in terms of contract agreement
on turn key for the work

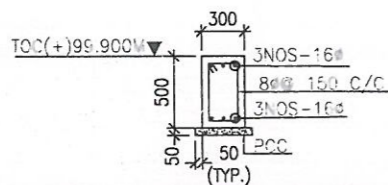
16.12
Chief Engineer (Civil)
BSPTCL

DETAIL OF FOUNDATION BOLTS FOR "LM"

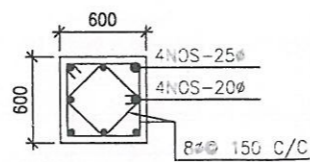
SI. NO.	TOWER NAME	NO. OF TOWERS	BOLTS PER LEG	BOLTS PER TOWER	TOTAL NO. OF BOLTS REQUIRED	D/A (Ø)	L _T	L _E	L _H	L _P	W	A	NO. OF BOLTS & NUTS REQUIRED					WEIGHT PER BOLT
													STD. HEXAGONAL LOCK NUT	STD. HEXAGONAL NUT	STD. WASHER PLATE	BASE PLATE	ANCHOR PLATE	
1	LM	5	4	16	80	56	1700	1500	210	200	100	100	80	160	80	20	80	37.15



DETAILS - D1



TIE BEAM TYP. DETAILS



SECTION 1-1



TIE ARRANGEMENT

Assistant Engineer (Civil)
BSPTCL

Executive Engineer (Civil)
BSPTCL

Superintending Engineer (Civil)
BSPTCL

		BIHAR STATE POWER TRANSMISSION CO. LTD.	
DRG. TITLE	TYPICAL PILE FOUNDATION DETAILS FOR LM STRUCTURE		
DRG. NO.	BSPTCL-SUBS-SWYD-C-STD-DRG-LM FOUNDATION		
SCALE	1:100	SHEET	1 OF 1