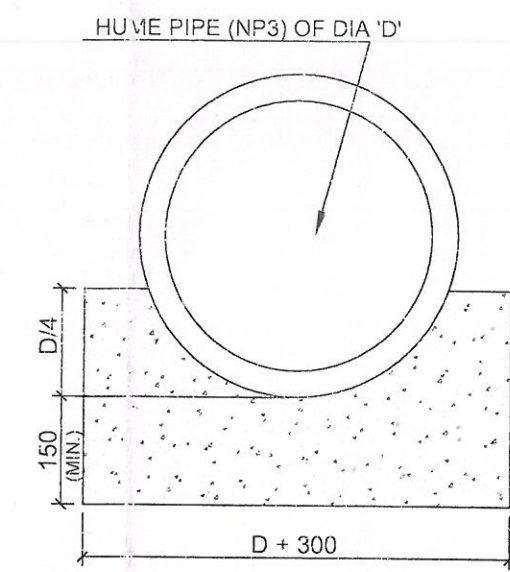
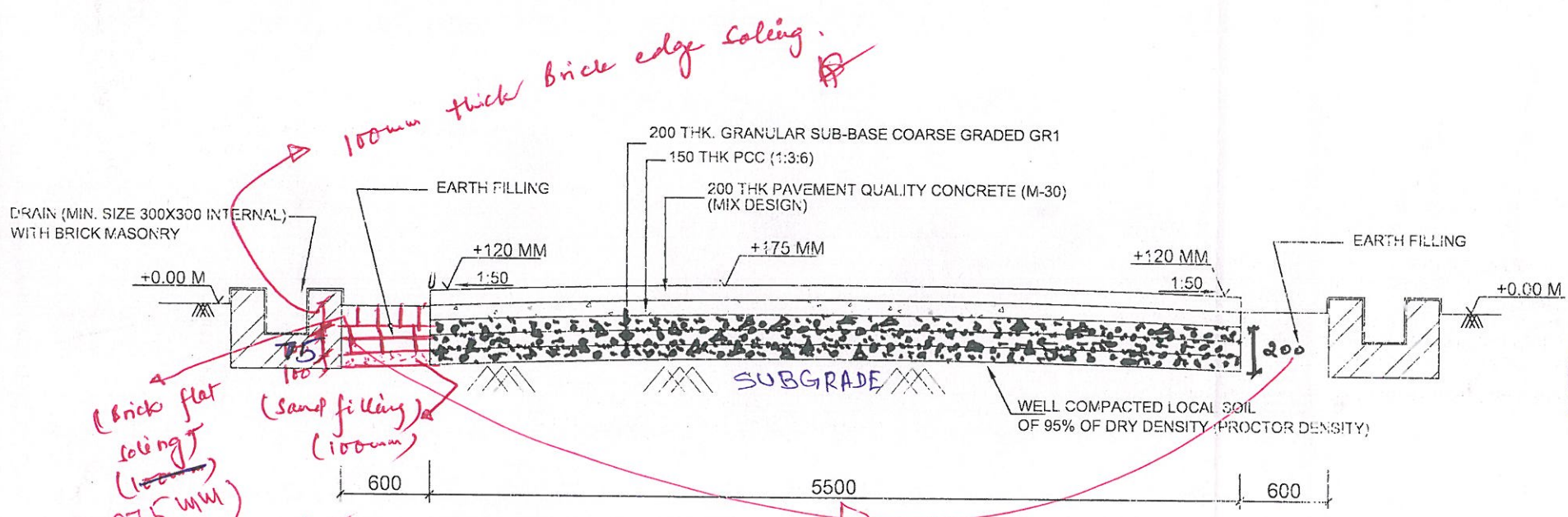


TYP. CROSS SECTION OF 3.75 M WIDE ROAD



BEDDING FOR HUME PIPE



TYP. CROSS SECTION OF 5.5 M WIDE ROAD

NOTES:

1. ALL DIMENSION ARE IN MM UNLESS NOTED OTHERWISE.
2. CAMBER OF 1:50 SHALL BE PROVIDED.
3. EXPANSION JOINT (12 MM THICK) SHALL BE PROVIDED AT EVERY 60M. EXPANSION JOINT SHALL ALSO BE PROVIDED AT CENTRE.
4. POLYTHENE SHEET OF 125 MICRONS SHALL BE PLACED BETWEEN THE PCC AND RCC SLAB. (TOP SLAB)
5. 100MM DIA. RCC HUME PIPE (NP-3) SHALL BE PLACED ACROSS THE ROAD AT EVERY 100M INTERVAL ALONG THE ROAD.
6. FINISHED TOP OF ROAD CREST SHALL BE 175 MM (MIN.) ABOVE F.G.L. (SWITCHYARD FORMATION LEVEL)

Handwritten note: Plain 25mm Dowel Bar shall be provided at every 4.5m length of Road.

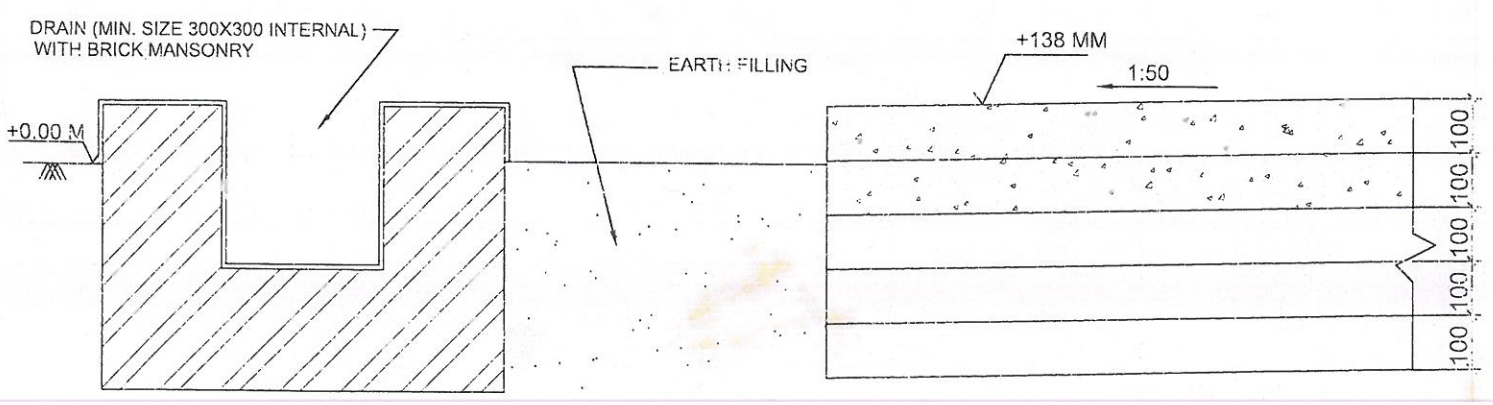
Drawing is approved subject to overall responsibility of the contractor in terms of contract agreement on turn key for the...

Chief Engineer (Civil) BSPTCL


Superintending Engineer (Civil) BSPTCL

Assistant Engineer (Civil) BSPTCL

Executive Engineer (Civil) BSPTCL



DETIAL - 2

		BIHAR STATE POWER TRANSMISSION CO. LTD.	
DRG. TITLE	STANDARD DETAILS OF ROAD		
DRG. NO.	BSPTCL-SUBS-SWYD-C-STD-DRG-ROAD		
SCALE	1 : 100	SHEET	1 OF 1