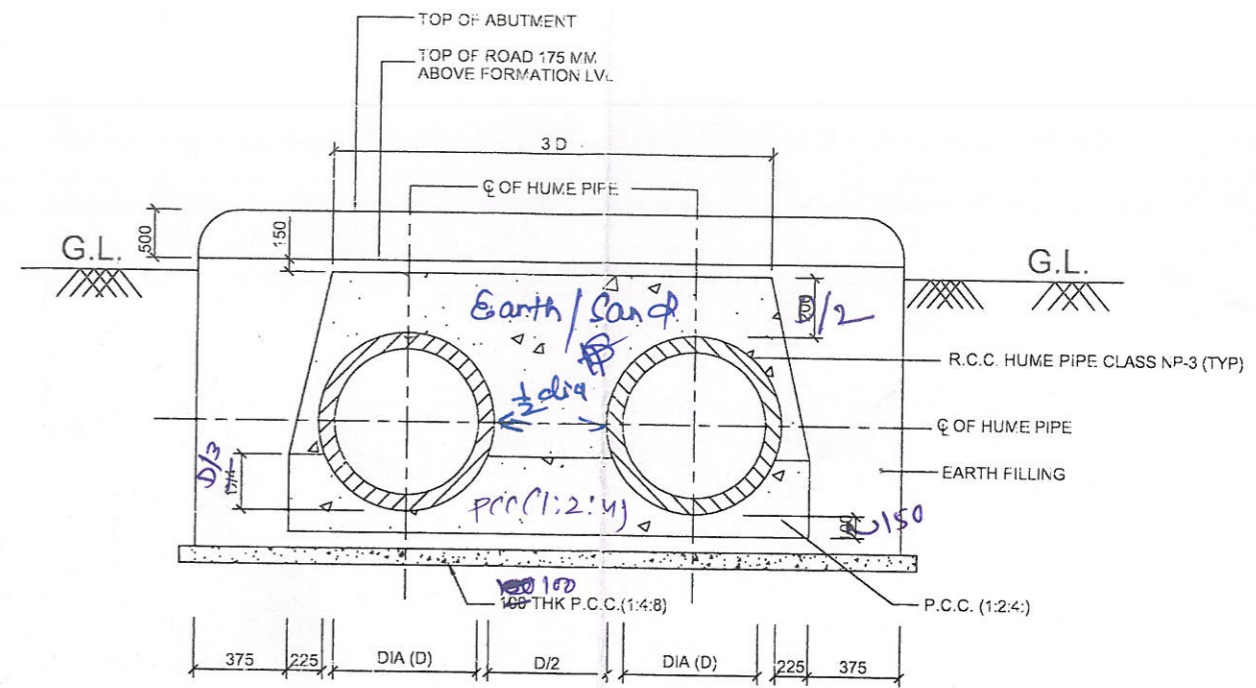
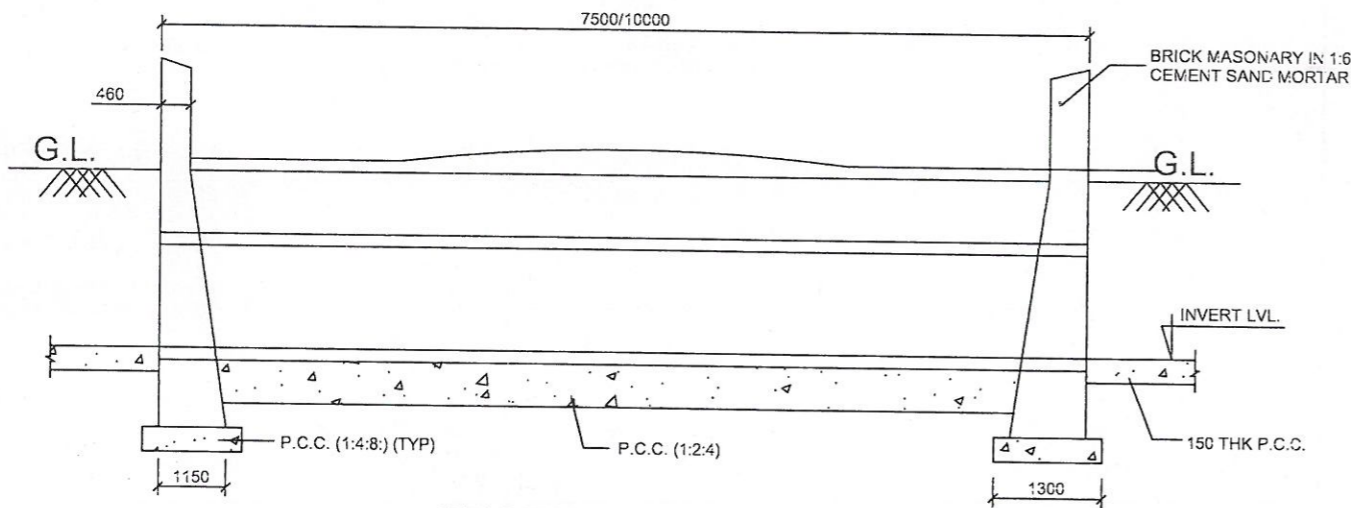


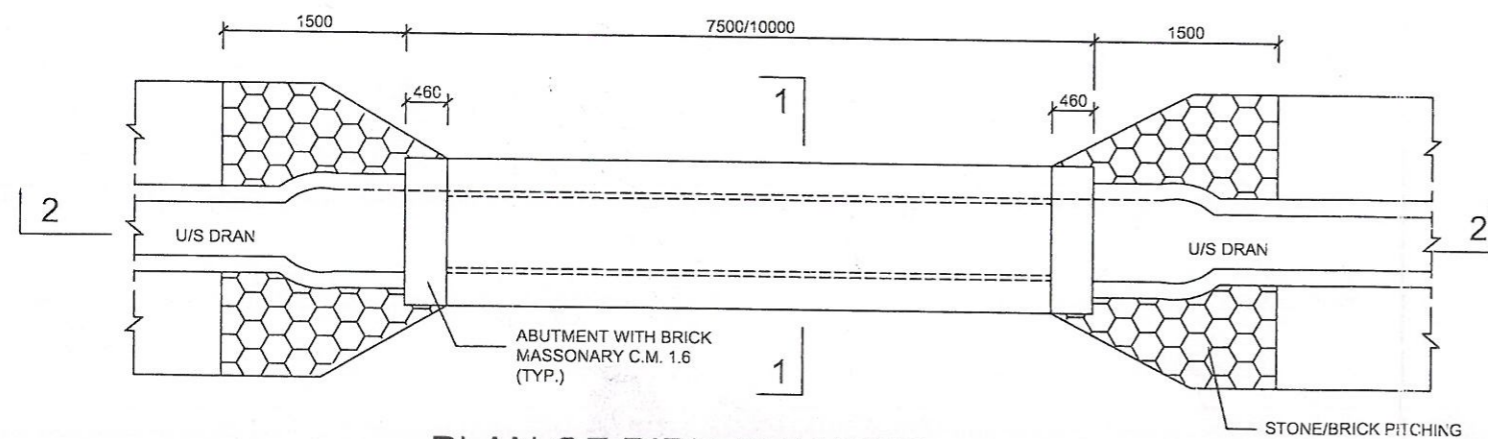
SECTION 1-1 FOR SINGLE PIPE



SECTION 1-1 FOR DOUBLE PIPE CULVERT



SECTION 2-2



PLAN OF PIPE CULVERT

Drawing is approved  
subject to overall  
responsibility of the contractor  
in terms of contract agreement  
on turn key for the work.

*[Signature]*  
4.12.15  
Chief Engineer (Civil)  
BSPTCL

*[Signature]*  
30.11.15  
Superintending Engineer (Civil)  
BSPTCL

*[Signature]*  
30.11.15  
Executive Engineer (Civil)  
B.S.P.T.C.L.

*[Signature]*  
30.11.15  
Assistant Engineer (Civil)  
BSPTCL

NOTES :

1. ALL DIMENSIONS ARE IN MM.
  2. DO NOT SCALE THE DRG.
  3. RCC HUME PIPE SHALL BE OF GRADE NP3.
  4. CLASS 7 BRICKS SHALL BE USED.
  5. CONCRETE MIX USED FOR COVERING RCC PIPE SHALL BE 1:2:4 (1 CEMENT : 2 COURSE SAND : 4 STONE AGGREGATE OF 20 MM NORMAL SIZE)
  6. ALL IN CONCRETE SHALL BE 1:4:8 (1 CEMENT : 4 COURSE SAND : 8 STONE AGGREGATE OF 40 MM NORMAL SIZE)
  7. BRICK MASSONARY SHALL BE DONE USING CEMENT MORTAR (1 CEMENT : 6 COURSE SAND)
- IMP :
1. SUITABLE SECTION SHALL BE ADOPTED AS PER SITE CONDITION.

		BIHAR STATE POWER TRANSMISSION CO. LTD.	
DRG. TITLE	STANDARD DETAILS OF ROAD CULVERT		
DRG. NO.	BSPTCL-SUBS-SWYD-C-STD-DRG-ROAD CULVERTS		
SCALE	1 : 100	SHEET	1 OF 1