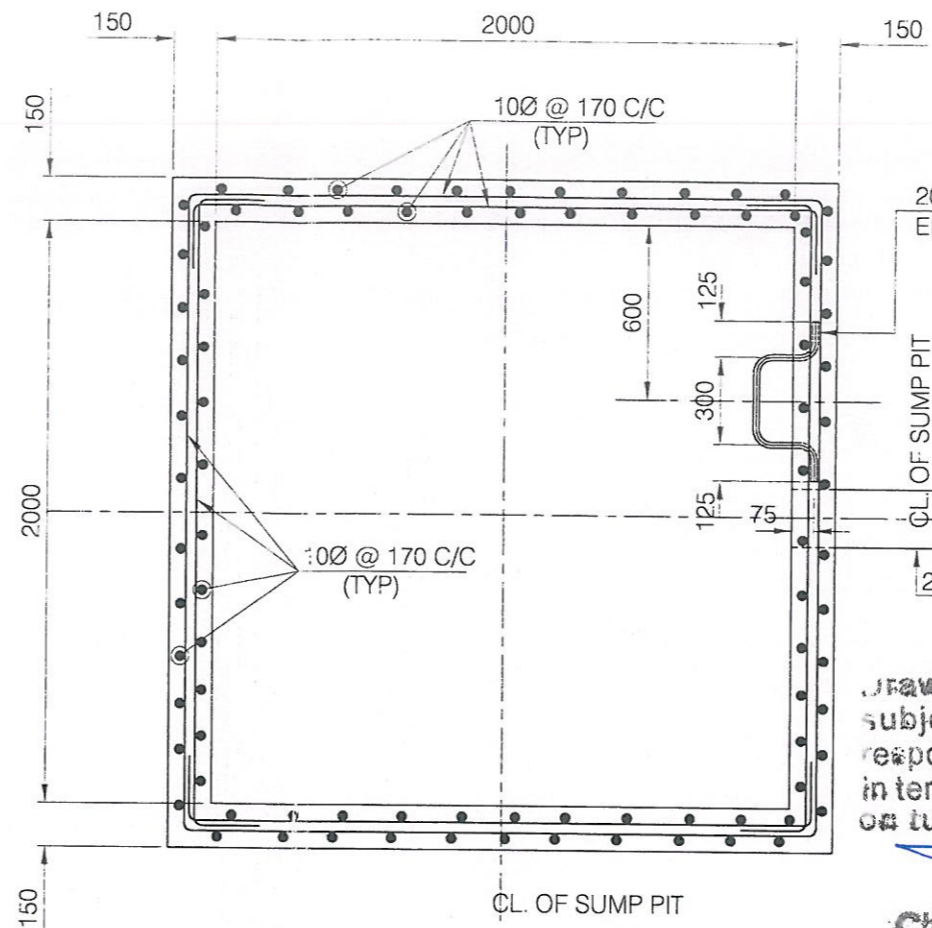
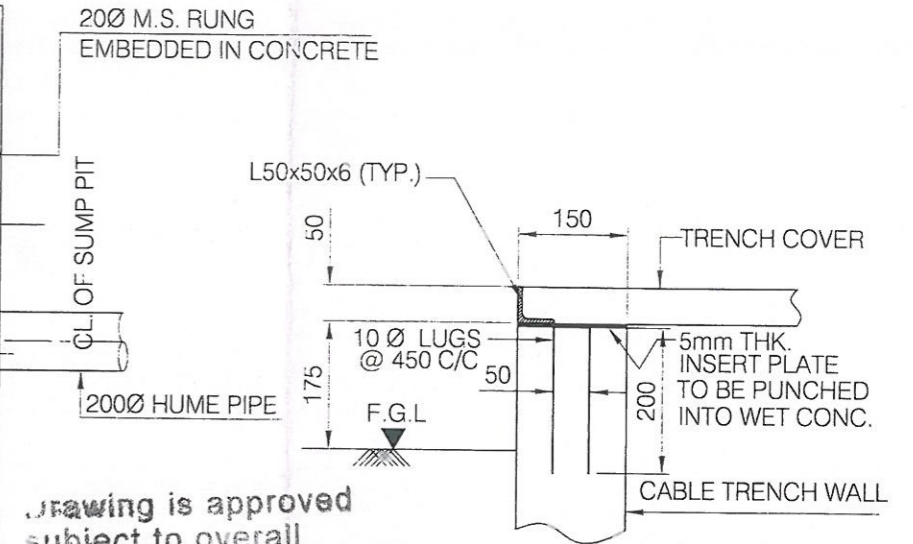


SECTION A-A
SCALE 1:25



SECTION B-B
SCALE 1:25



TYPICAL DETAIL OF SLAB SUPPORT
SCALE 1:10

Drawing is approved
subject to overall
responsibility of the contractor
on turn key for the work.

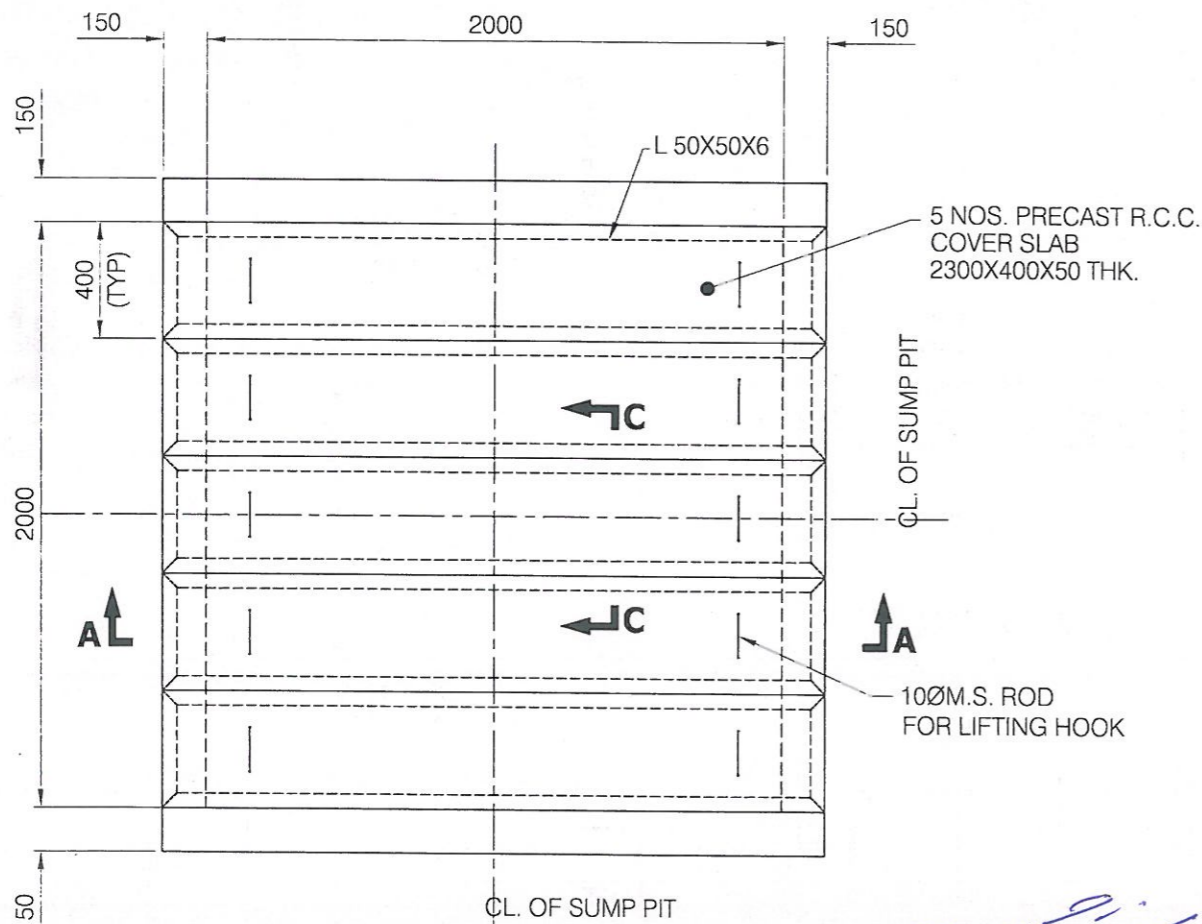
[Signature]
30/11/15
Chief Engineer (Civil)
BSPTCL

NOTE:

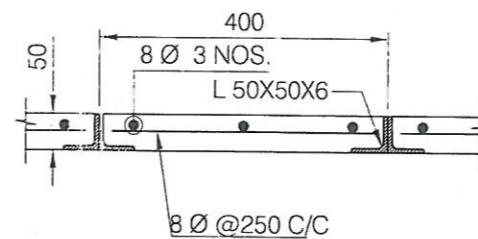
1. ALL DIMENSIONS ARE IN mm. UNLESS OTHERWISE SPECIFIED.
2. R.C.C. MIX SHOULD BE 1:1.5:3 (1 CEMENT: 1.5 COARSE SAND: 3 STONE AGGREGATE 20mm NOMINAL SIZE.)
3. LEAN CONG. SHALL BE IN THE RATIO 1:4:8. (1 CEMENT: 4 COURSE SAND: 8 STONE AGGREGATE 40MM NOMINAL SIZE)

[Signature]
30/11/15
Superintending Engineer (Civil)
BSPTCL

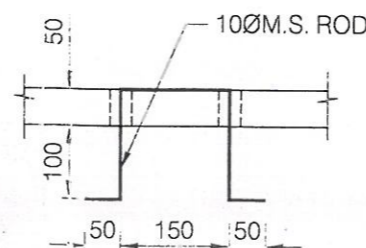
[Signature]
30/11/15
Executive Engineer (Civil)
B.S.P.T.C.L.



TOP PLAN OF SUMP PIT
SCALE 1:25




SECTION C-C
SCALE 1:10



DETAIL OF LIFTING HOOK
SCALE 1:10

[Signature]
30/11/15
Assistant Engineer (Civil)
BSPTCL

		BIHAR STATE POWER TRANSMISSION CO. LTD.	
		STANDARD DETAIL OF SUMP PIT	
DRG. NO.		BSPTCL-SUBS-SWYD-C-STD-DRG-SUMP PIT	
SCALE		1 : 100	SHEET 1 OF 1