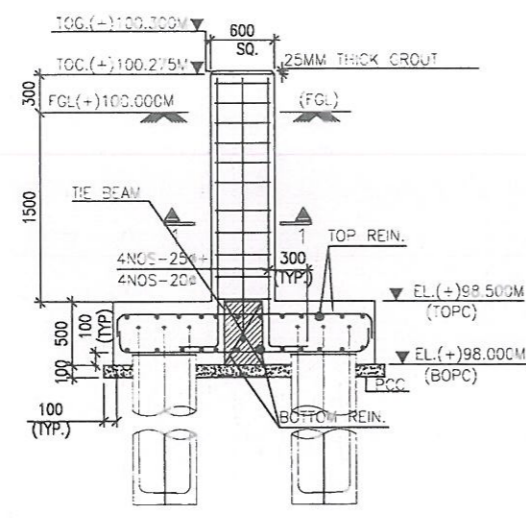
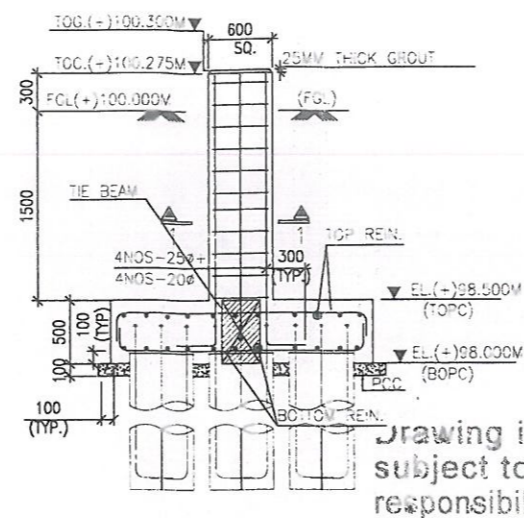


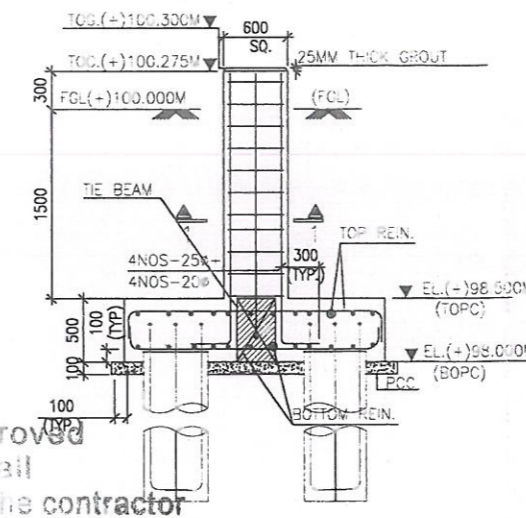
SECTION A-A



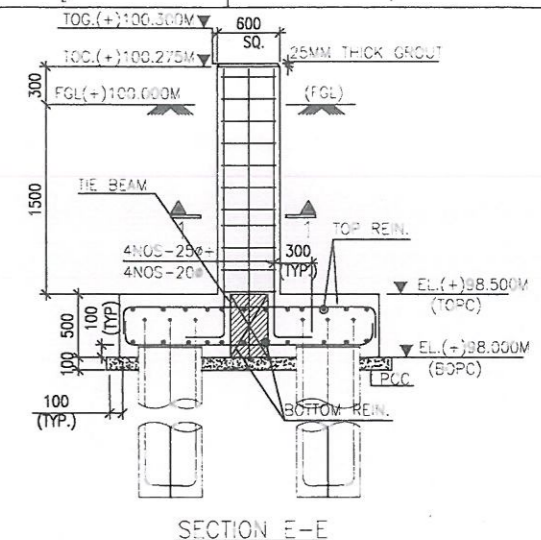
SECTION B-B



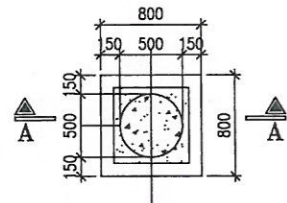
SECTION C-C



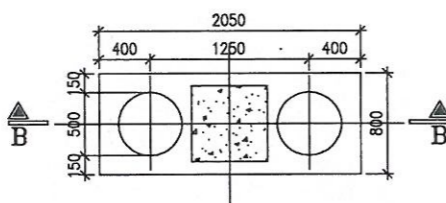
SECTION D-D



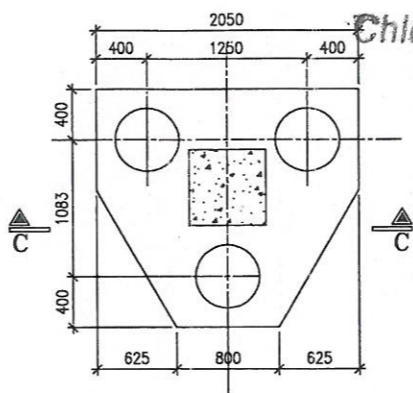
SECTION E-E



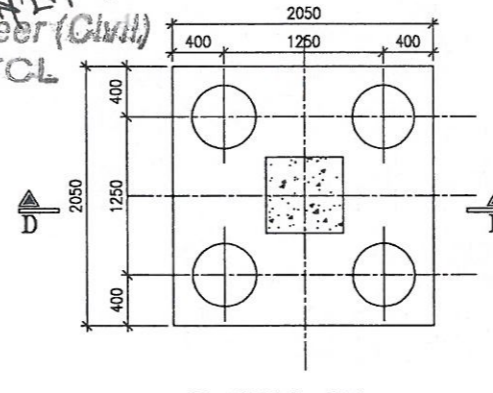
1P GROUP-500Ø



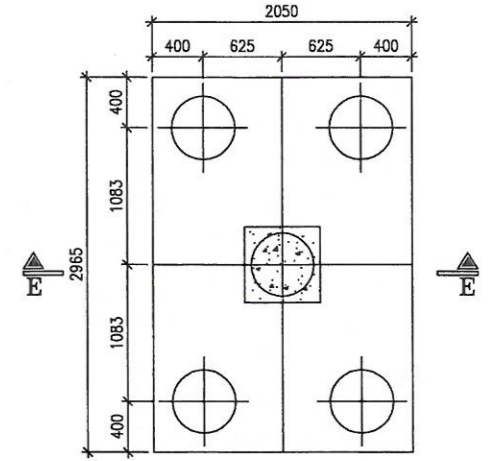
2P GROUP-500Ø



3P GROUP-500Ø



4P GROUP-500Ø



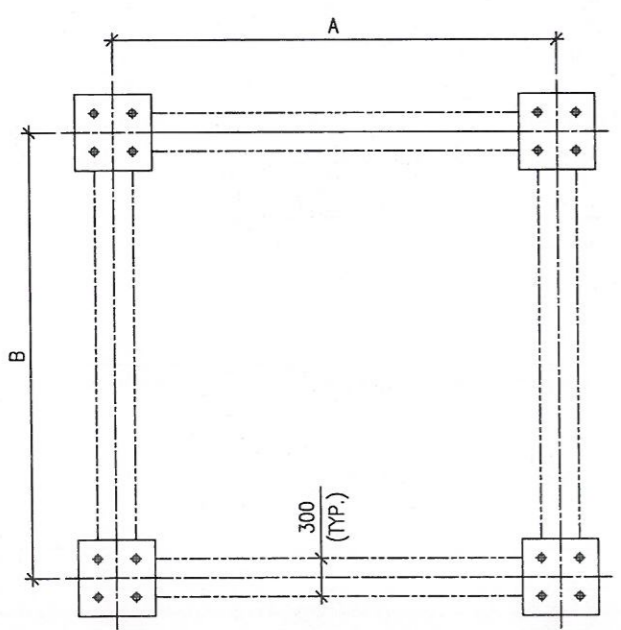
5P GROUP-500Ø

Drawing is approved subject to overall responsibility of the contractor in terms of contract agreement on turn key for the work.

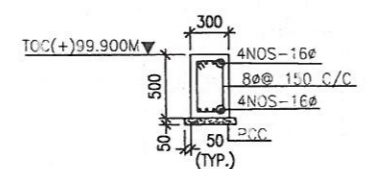
Chief Engineer (Civil) BSPTCL

ANCHOR BOLT DETAILS (TOWER MKD. - CC,CTB,CTC, CTE,CTG & CTH)

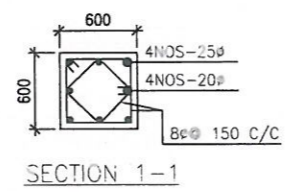
ANCHOR BOLT DETAILS (TOWER MKD. - CTD)



TYPICAL PEDESTAL PLAN



TIE BEAM TYP. DETAILS



SECTION 1-1

LEGEND:-

- TOG - TOP OF GROUTING
- TOC - TOP OF CONCRETE
- FGL - FINISHED GROUND LEVEL
- EL. - ELEVATION LEVEL
- TOPC - TOP OF PILE CAP
- BOPC - BOTTOM OF PILE CAP
- REIN. - REINFORCEMENT
- MKD. - MARKED
- UOS - UNLESS OTHERWISE SPECIFIED
- NA - NOT APPLICABLE
- TYP. - TYPICAL
- NOS. - NUMBERS
- C/C - CENTER TO CENTER
- DWG. NO. - DRAWING NUMBER

NOTES:-

1. ALL DIMENSION ARE IN MM. UOS
2. THE CAPACITY OF 500MM Ø PILE OF 10.0M LENGTH.
3. CONCRETE GRADE SHALL BE M20 (1:1.5:3).
4. PCC GRADE SHALL BE 1:4:8
5. FGL CONSIDERED 100.00 M.
6. FOR PILE DETAILS:- REFER DRAWING - TYPICAL DETAILS OF PILE.
7. FOR TOWER FOUNDATION LAYOUT - REFER LAYOUT DRAWING

SL. NO.	TOWER MKD.	TOWER B/B.	TOWER C/C.		PEDESTAL SIZE		PILE CAP DETAILS					REQ. ANCHOR BOLT		ANCHOR BOLT DISTANCE		
			A	B	C	D	PILE GROUP	DEPTH OF PILE CAP	BOTTOM REINF.	TOP REINF.	REQD. NOS. OF PILE PER TOWER	TOTAL NOS. OF TOWER	TOTAL PILES	J	K	
1	CC	2.5m x 2.5m	3444	2444	600	600	1	500	12Ø@150 C/C	12Ø@150 C/C	4	5	20	4NOS.-28Ø	195	105
2	CTB	2.5m x 3.5m	2410.8	3410.8	600	600	5	500	12Ø@150 C/C	12Ø@150 C/C	4	6	84	4NOS.-56Ø	140	160
3	CTC	3.5m x 3.5m	3411	3411	600	600	3	500	12Ø@150 C/C	12Ø@150 C/C	3	5	45	4NOS.-56Ø	140	160
4	CTD	2.5m x 3.5m	2438.2	3438.2	600	600	3	500	12Ø@125 C/C	12Ø@150 C/C	3	4	44	3NOS.-40Ø	195	105
5	CTE	3.5m x 3.5m	3417	3417	600	600	2	500	12Ø@150 C/C	12Ø@150 C/C	4	7	84	4NOS.-56Ø	140	160
6	CTG	3.5m x 2.5m	3440	2440	600	600	2	500	12Ø@150 C/C	12Ø@150 C/C	2	9	36	4NOS.-28Ø	195	105
7	CTH	3.5m x 2.5m	3426.5	2426.5	600	600	3	500	12Ø@125 C/C	12Ø@150 C/C	6	6	60	4NOS.-40Ø	195	105
TOTAL PILE REQUIRED - 373 NOS.																

Assistant Engineer (Civil) BSPTCL

Executive Engineer (Civil) BSPTCL

Superintending Engineer (Civil) BSPTCL

		BIHAR STATE POWER TRANSMISSION CO. LTD.	
DRG. TITLE	TYPICAL FOUNDATION DETAILS FOR 220KV TOWER		
DRG. NO.	BSPTCL-SUBS-SWYD-C-STD-DRG 220KV TOWER FOUNDATION		
SCALE	N.T.S	SHEET	1 OF 1