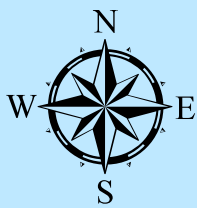
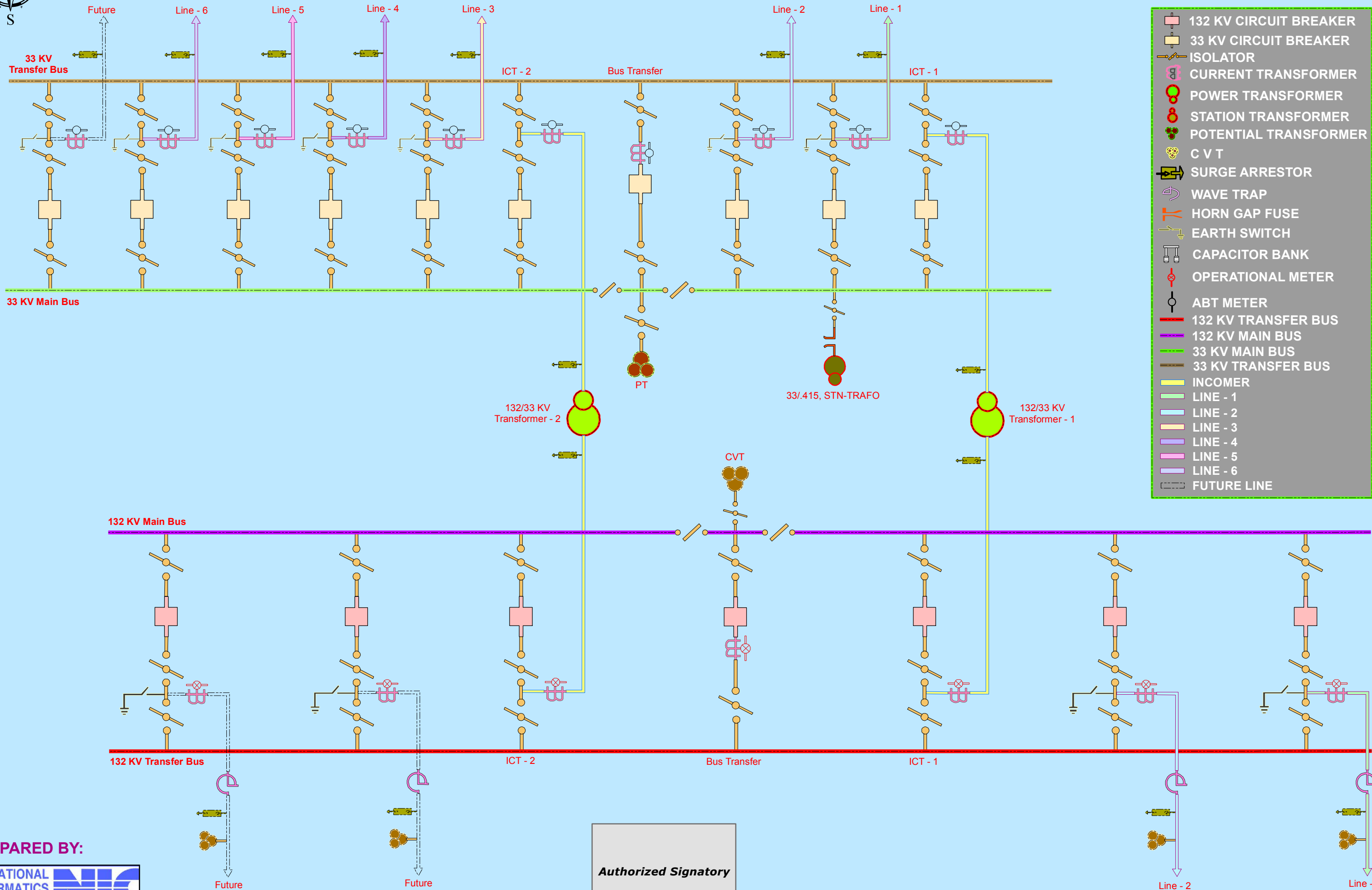


SINGLE LINE DIAGRAM OF 132/33 KV GSS GANGWARA



LEGEND

	132 KV CIRCUIT BREAKER
	33 KV CIRCUIT BREAKER
	ISOLATOR
	CURRENT TRANSFORMER
	POWER TRANSFORMER
	STATION TRANSFORMER
	POTENTIAL TRANSFORMER
	C V T
	SURGE ARRESTOR
	WAVE TRAP
	HORN GAP FUSE
	EARTH SWITCH
	CAPACITOR BANK
	OPERATIONAL METER
	ABT METER
	132 KV TRANSFER BUS
	132 KV MAIN BUS
	33 KV MAIN BUS
	33 KV TRANSFER BUS
	INCOMER
	LINE - 1
	LINE - 2
	LINE - 3
	LINE - 4
	LINE - 5
	LINE - 6
	FUTURE LINE



PREPARED BY:

 NATIONAL INFORMATICS CENTRE
 THE IT SUPPORT PROFESSIONALS

Authorized Signatory