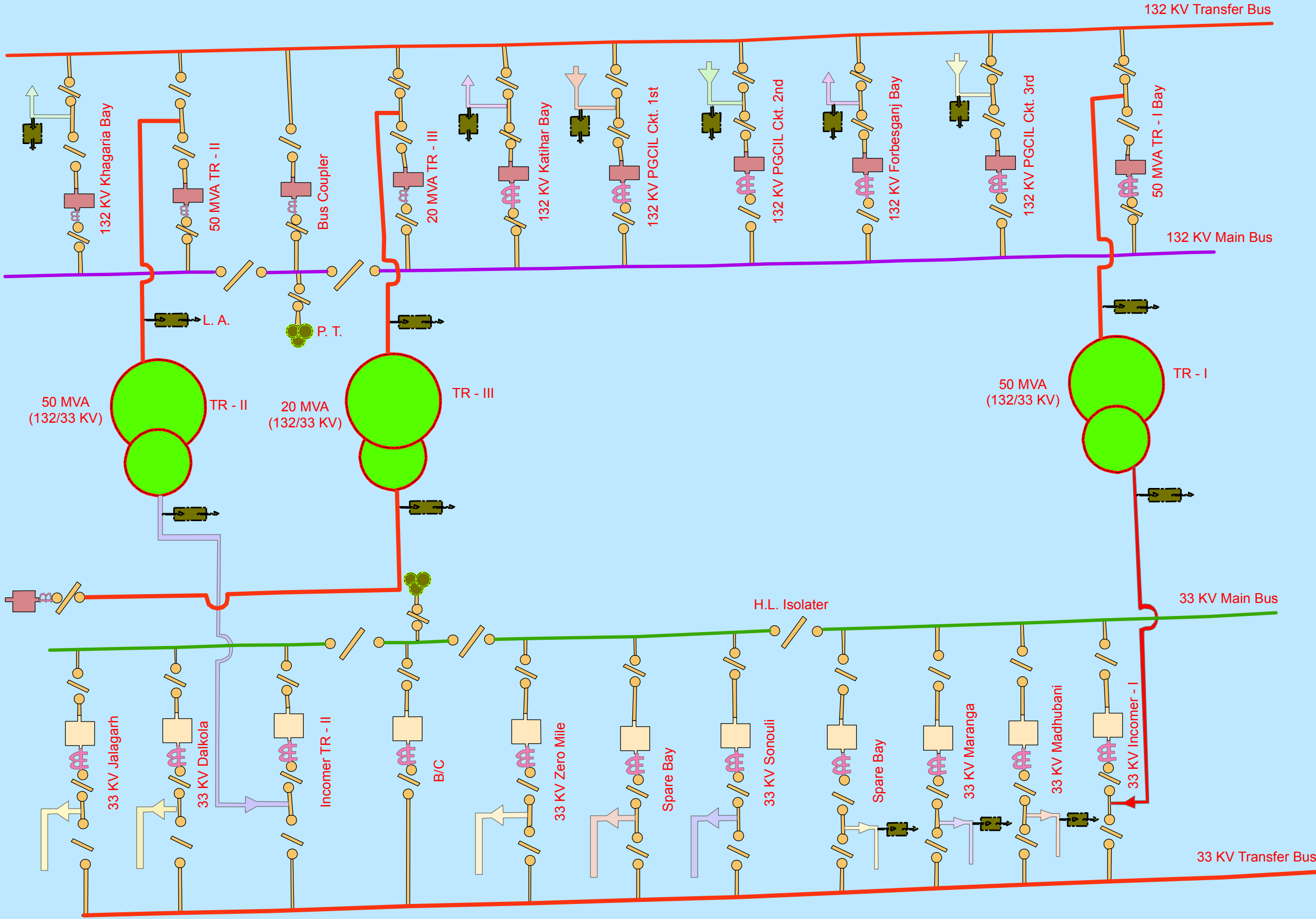


SINGLE LINE DIAGRAM OF PURNEA 132/33 KV , GSS



LEGEND

	132 KV CIRCUIT BREAKER
	33 KV CIRCUIT BREAKER
	ISOLATOR
	CURRENT TRANSFORMER
	POWER TRANSFORMER
	STATION TRANSFORMER
	POTENTIAL TRANSFORMER
	CVT
	SURGE ARRESTOR / L.A.
	WAVE TRAP
	HORN GAP FUSE
	132 KV TRANSFER BUS
	132 KV PURNEA-KATI HAR LINE
	132 KV TRANS NO I BAY
	132 KV TRANS NO II BAY
	132 KV TRANS NO III BAY
	132 KV MAIN BUS
	INCOMER NO I
	INCOMER NO II
	INCOMER NO III
	33 KV MAIN BUS
	33 KV TRANSFER BUS
	33 KV BARMASIA
	33 KV INDUSTRIAL
	33 KV BINODPUR
	33 KV RAILWAY

PREPARED BY:



Authorized Signatory