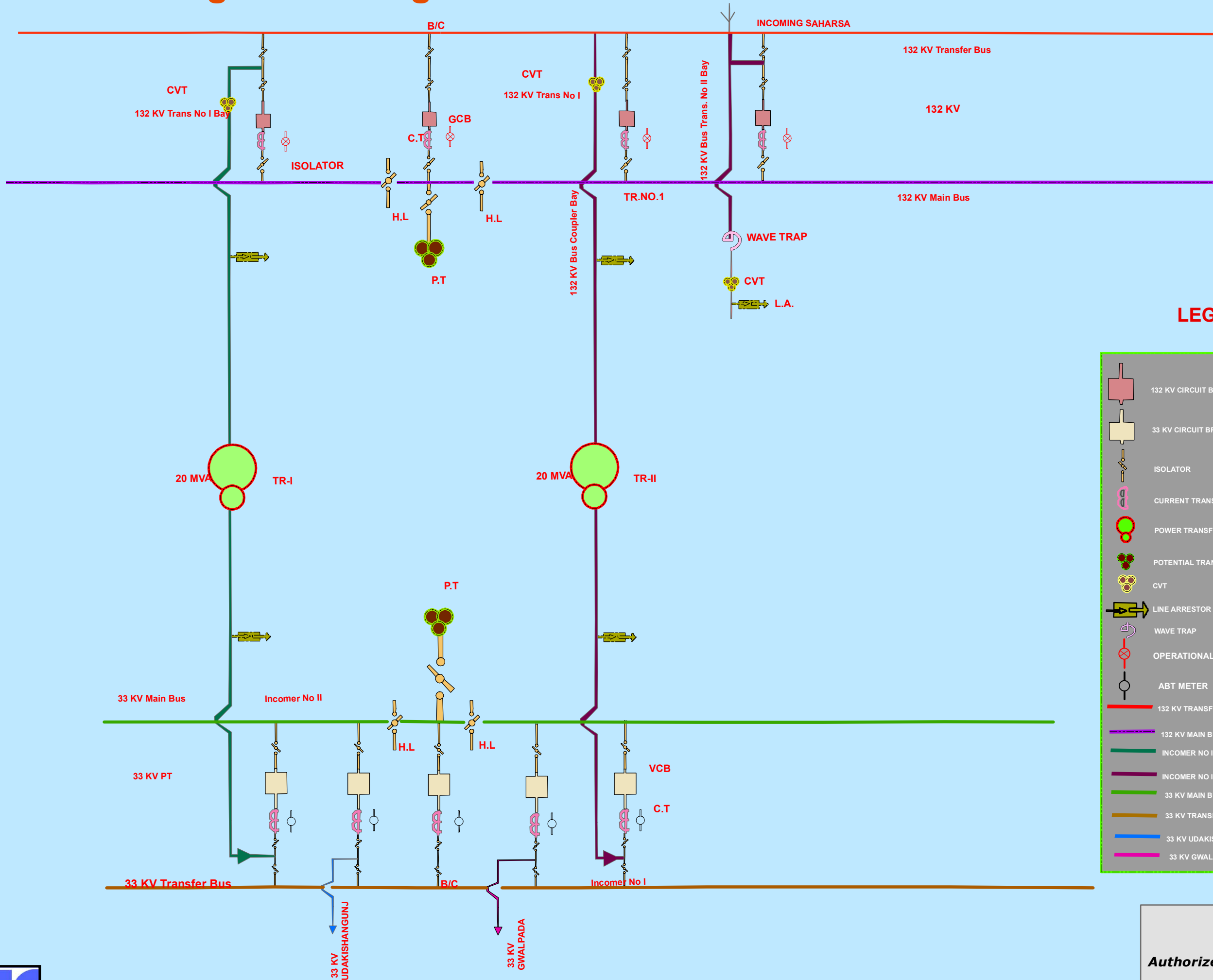
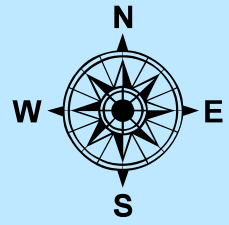


Single Line Diagram Of GSS UDAKISHANGUNJ



LEGEND

	132 KV CIRCUIT BREAKER
	33 KV CIRCUIT BREAKER
	ISOLATOR
	CURRENT TRANSFORMER
	POWER TRANSFORMER
	POTENTIAL TRANSFORMER
	CVT
	LINE ARRESTOR
	WAVE TRAP
	OPERATIONAL METER
	ABT METER
	132 KV TRANSFER BUS
	132 KV MAIN BUS
	INCOMER NO I
	INCOMER NO II
	33 KV MAIN BUS
	33 KV TRANSFER BUS
	33 KV UDAKISHANGUNJ
	33 KV GWALPADA

PREPARED BY:

Authorized Signatory