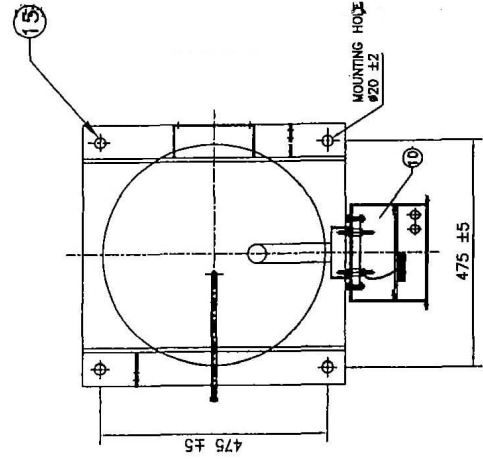
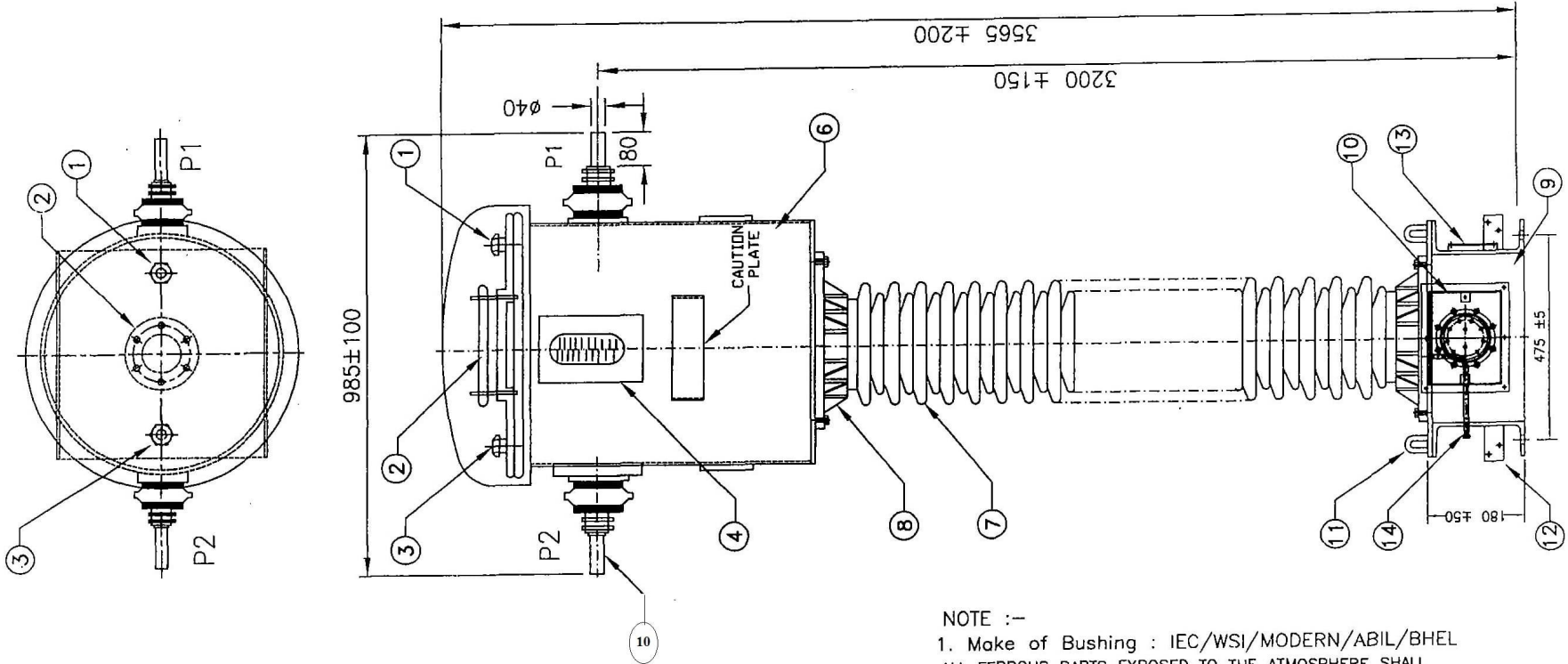


S.No.	DESCRIPTION	QTY	MATL
1	NITROGEN VALVE	1	BRASS
2	PRESSURE RELEASE DEVICE	1	AL+Bolexite
3	OIL FILLING PLUG	1	M.S
4	OIL LEVEL INDICATOR (With Min/Normal/Max Marking)	1	AL+GLASS/ POLY CARBONATE
5	PRIMARY TERMINAL	2	TINNED COPPER
6	OIL TANK WITH COVER	1	M.S.
7	BUSHING(WSI,IEC,MODERN,BHEL,ABIL)	1	EV PORECELEIN
8	BUSHING CLAMP	2	CI/GI
9	BASE	1	M.S.
10	SECONDARY TERMINAL BOX	1	M.S
11	LIFTING HOOK	4	M.S
12	EARTHING FLAT BOX-50x8THICK.	2	M.S
13	NAME AND RATING PLATE	1	ALU. ANODISED
14	OIL DRAIN PLUG	1	M.S
15	MOUNTING HOLES #20	4	M.S



MOUNTING DETAILS


TOTAL CREEPAGE DISTANCE :- 6125mm (MIN)
OIL QUANTITY IN LITRES :- 250LITRES APPROX.
TOTAL WEIGHT OF CT : 1000KGS APPROX.



NOTE :-

1. Make of Bushing : IEC/WSI/MODERN/ABIL/BHEL
ALL FERROUS PARTS EXPOSED TO THE ATMOSPHERE SHALL BE HOT DIP GALVANISED AND THEN EPOXY PAINTED HAVING LIGHT GREY CONFIRMING TO SHADE 631 OF IS5

C.T MUST BE SUITABLE FOR HORIZONTAL TRANSPORTATION

CUSTOMER	 BIHAR STATE POWER TRANSMISSION CO. LTD		
THIS DRAWING IS THE PROPERTY OF M/S TECHNICAL ELECTRIC & ENGG CO. LTD. AND NOT TO BE COPIED OR USED WITHOUT THEIR PRIOR PERMISSION.			
SUPPLY LOI NO.			
ERECTION LOI NO.			
PROJECT			
SUBSTATION			
VENDORS NAME			
DRG. TITLE	GENERAL ARRANGEMENT DRG. FOR 220KV CT(120%&150%)		
DRG. NO.	220-KV-CT-120-150-GA		
SCALE:	NTS	JOB NO:	SHEET